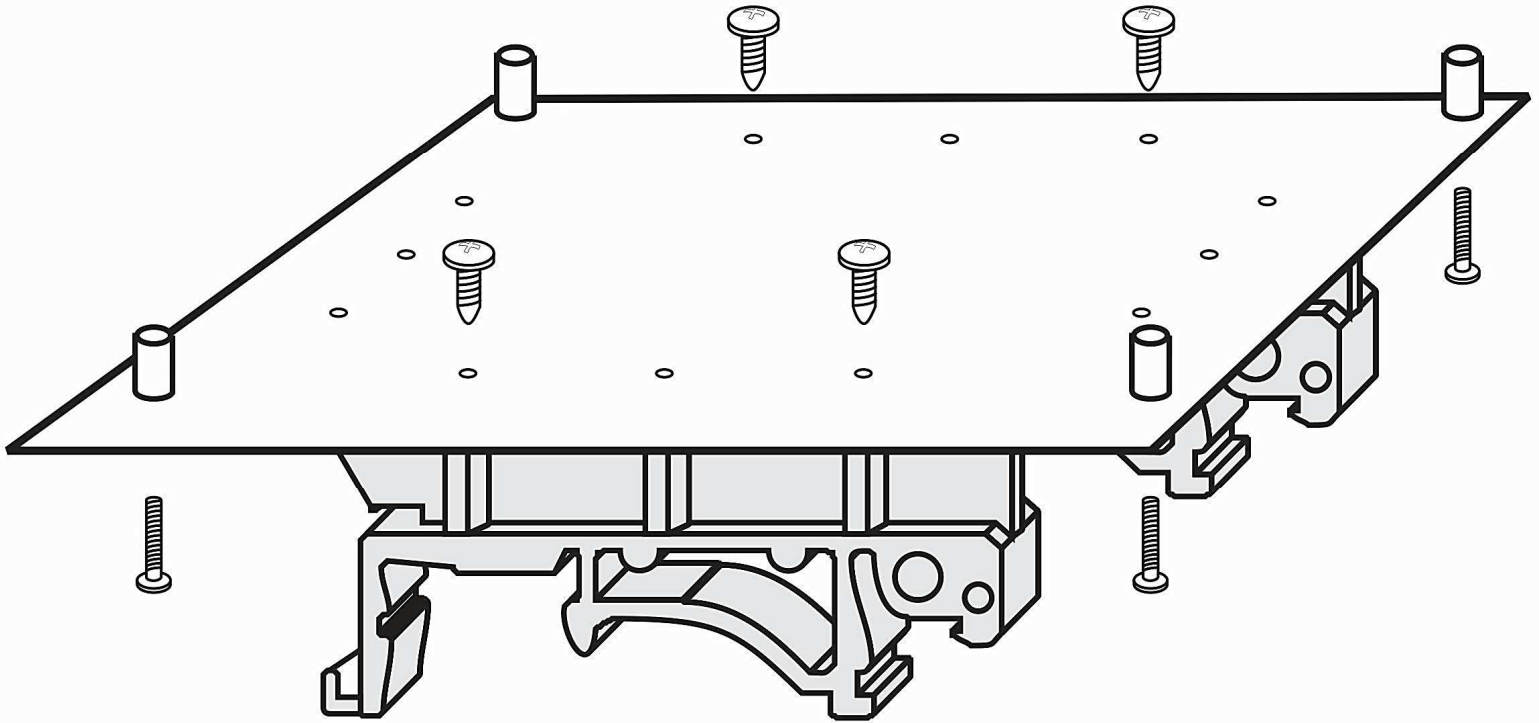


MP104-DIN Kit Contents and installation instruction



QTY Description

- 4 - #6 × 3/8" PHP AB Self Tapping Screw**
- 4 - 4/40 × 3/8" PHP Screw**
- 2 - DIN Clips**
- 1 - MP104-DIN**

The MP104-DIN kit allows for flexible orientation of the mounting clips in relation to the DIN rail and the USB/104 ACCES I/O Module in it's enclosure. To install, follow these steps:

1. Verify the contents of your kit matches the above list of parts.
2. Line up all four (4) of the threaded stud protrusions (on the top side of the above drawing) on the MP104-DIN plate facing the USB enclosure bottom and match the PC/104 mounting holes. (If the rubber feet of the USB enclosure are installed over the mounting holes, remove the rubber feet.) Note the plate orientation as it would need to be when completely assembled in preparation for the next steps.
3. Orient the DIN Clips to your DIN rail (the clip top is shown on the right in the above drawing).
4. Join the oriented DIN Clips to the flat side of the MP104-DIN plate and line up the 3 mounting holes.
5. Insert two of the #6 x 3/8" PHP AB Self Tapping Screws through the MP104-DIN plate and screw into the DIN Clips.
6. Repeat step 5 for the second DIN Clip.
7. Mount the MP104-DIN assembly to the USB enclosure with the four screws (4/40 x 3/8" PHP) provided.
8. Insert the DIN Clip top notch onto the top of the DIN rail, then hinge the assembly down and latch in the bottom clip until it clicks.