

16 ANALOG INPUT, 4 ANALOG OUTPUT, 16 DIGITAL I/O FOR PCI EXPRESS HARDWARE MANUAL

MODELS

PCIe-ADIO16-16F FAMILY



CHAPTER 1: QUICK START

It is recommended that you install the software package before installing the PCI Express card in your computer. Install the software¹ using our stand-alone installer downloaded from the website.

Run the installer you downloaded and follow the prompts to install the software for your device.

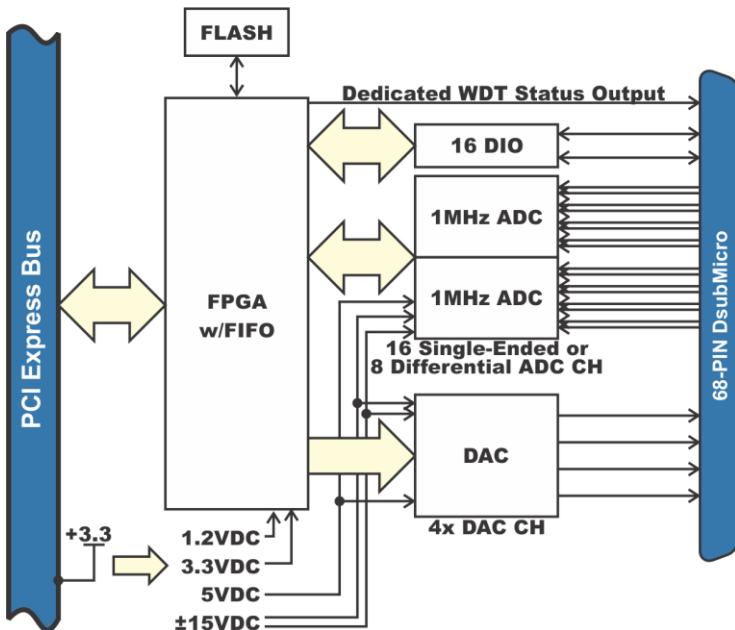
Please note: during the installation you may be prompted regarding the installation of non-WHQL-certified drivers; please carefully confirm the digitally signed source of the drivers and accept the installation.

Once the software has been installed, shut down your system and carefully install the card.

Re-start your system. Once the computer finishes booting, your new I/O should already be installed and ready for use; you can confirm this by launching Device Manager and looking under the “Data Acquisition” section. If, for any reason, the device displays a warning triangle, right-click and select “Update Driver”.

¹ In Linux or OSX please refer to github.com/accesio/apci.

CHAPTER 2: INTRODUCTION



- PCI Express half-height/length with latching I/O connector
- 2× 16-bit, Bipolar, Differential, A/D converters sampling at up to 1MHz, simultaneously
 - Software selectable as 16+0, 8+4, or 0+8 (Single-Ended + Differential Inputs)
 - 7 channel-by-channel programmable differential input ranges from $\pm 0.3125V$ up to $\pm 12V$ (48Vp-p)
 - A/D starts via software, external input, or periodic timer
 - A/D “Scan Start” mode optimizes inter-channel timing
 - High impedance, 8-channel input: 1 M Ω
 - 32k FIFO plus DMA for efficient, robust data streaming
- 16× Digital I/O pins with flexible secondary functions
- Four 16-bit analog outputs
 - 5 per-channel programmable ranges: 0V to 5V, 0V to 10V, $\pm 2.5V$, $\pm 5V$, $\pm 10V$
 - Optional 4-20mA outputs

- Outputs Drive $\pm 10mA$ Guaranteed
- Onboard Watchdog with status output
- RoHS compliant standard

CHAPTER 3: HARDWARE

This manual applies to the following models:		VENDEV
PCIe-ADIO16-16F	A/D 16-bit, 2Msps, 4 D/A	494F:C2EC
PCIe-ADIO16-16A	A/D 16-bit, 1Msps, 4 D/A	494F:C2ED
PCIe-ADIO16-16E	A/D 16-bit, 500Ksps, 4 D/A	494F:C2EE
PCIe-ADI16-16F	A/D 16-bit, 2Msps	494F:82EC
PCIe-ADI16-16A	A/D 16-bit, 1Msps	494F:82ED
PCIe-ADI16-16E	A/D 16-bit, 500Ksps	494F:82EE
PCIe-ADIO12-16A	A/D 12-bit, 500Ksps, 4 D/A	494F:C25C
PCIe-ADIO12-16	A/D 12-bit, 250Ksps, 4 D/A	494F:C25D
PCIe-ADIO12-16E	A/D 12-bit, 100Ksps, 4 D/A	494F:C25E
PCIe-ADI12-16A	A/D 12-bit, 500Ksps	494F:825C
PCIe-ADI12-16	A/D 12-bit, 250Ksps	494F:825D
PCIe-ADI12-16E	A/D 12-bit, 100Ksps	494F:825E

All models are half-height and shorter-than-half-length cards.

All units are RoHS compliant.

INCLUDED IN YOUR PACKAGE

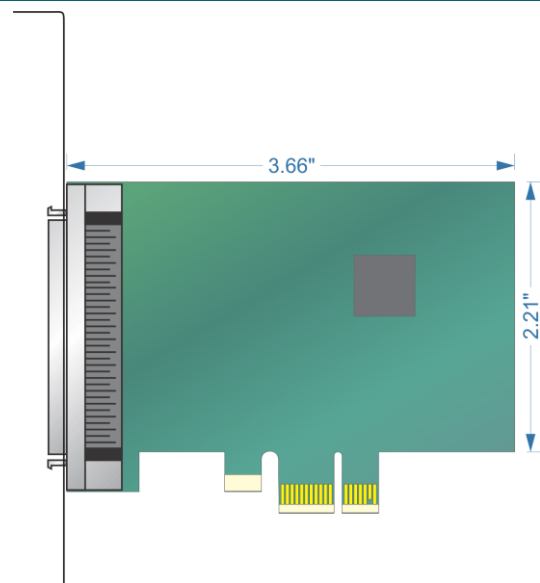
1× PCIe-ADIO16-16F Family card

Available accessories include:

C68PS18L	68-Pin SCSI 18" shielded cable with one-touch latches
STB-68	Screw Terminal Board (mounted on standoffs)

Contact the factory for information regarding additional accessories, options, and specials that may be available to best fit your specific application requirements, such as Industrial Temperature ($-40^{\circ}C$ to $85^{\circ}C$).

CHAPTER 4: CONFIGURATION SETTINGS



All configuration of this device is performed through software; there are no jumpers or switches to set.

CHAPTER 5: PC INTERFACE

This product interfaces with a PC using a PCI Express Gen 2 1xlane connection.

CHAPTER 6: I/O INTERFACE

The 68-Pin connector provides all I/O signals for the board:



For Single-Ended analog inputs connect GND to ADC COMMON.

68-Pin SCSI Female, Latched					
ADAS3022 #0	ADC IN 0	1	35	ADC IN 1	ADAS3022 #1
	ADC IN 2	3	37	ADC IN 3	
	ADC IN 4	5	39	ADC IN 5	
	ADC IN 6	7	41	ADC IN 7	
	ADC IN 8	9	43	ADC IN 9	
	ADC IN 10	11	45	ADC IN 11	
	ADC IN 12	13	47	ADC IN 13	
	ADC IN 14	15	49	ADC IN 15	
	ADC1 COMMON	17	51	ADC2 COMMON	
	DAC 0	19	53	DAC2	
	DAC 1	21	55	DAC 3	
	Digital Ground	23	57	Digital Ground	
	Digital Ground	24	58	Digital Ground	
	DIO BitIndex 14	25	59	DIO BitIndex 15	Group 1
	DIO BitIndex 12	26	60	DIO BitIndex 13	
	DIO BitIndex 10	27	61	DIO BitIndex 11	
	DIO BitIndex 8	28	62	DIO BitIndex 9	
	DIO BitIndex 6	29	63	DIO BitIndex 7	Group 0
	DIO BitIndex 4	30	64	DIO BitIndex 5	
	DIO BitIndex 2	31	65	DIO BitIndex 3	
	DIO BitIndex 0	32	66	DIO BitIndex 1	
	Digital Ground	33	67	Digital Ground	
	VCCdio / UserVCCdio	34	68	Watchdog Active	

All unlisted pins in the above table are analog ground.

CHAPTER 7: SOFTWARE INTERFACE

How to use

The ADAS3022 is a flexible data acquisition system-on-chip that has numerous features and modes of operation, and additional modes and features are added by our advanced FPGA design.

This flexibility can seem overwhelming, but we've designed our AIOAIO.dll API to make using this ADC simple for 99% of customer use-cases, based on 30+ years of customer feedback.

We strongly recommend you ignore the register details provided in Chapter 7: Software Interface and the discussions regarding low-level control of the ADC in the second half of this chapter. Instead, simply refer to the AIOAIO Software Reference (.html) manual [link] and the source code to the variety of sample programs provided in the Software Installation Package [link].

Tip: Taking data from every channel can be as simple as calling "ADC_GetImmediateScanV(0, rangeCode, &data);", which converts all channels at the specified range and stuffs the data (as double-precision floating point Voltages) into the data array. This function can be called many thousands of times per second. Please refer to the samples and the software reference for details on this and other available API functions, including how to acquire 1MHz data via callback or polling.

Advanced Topics

BASIC, ADVANCED, AND NON-SEQUENCED MODES

The ADAS3022 uses the SEQ1:0 bits in the +38 and +3C control registers to select between non-sequenced mode, basic sequence mode, and advanced sequence mode.

SEQ1	SEQ0	Mode	Description
0	0	non-Sequenced	The ADAS will acquire data from the channel specified in the INx2:0 bits, at the gain specified in the Gain2:0 bits.
0	1	Modify Basic Sequence	Allows the gain and such to be modified while running a basic sequence, without starting conversions over at CH0.
1	0	Advanced Sequence	Acquires Channel 0 using the gain selected via +18 bits 2:0. Conversion-starts will automatically cycle through the channels from CH0 through INx2:0, and each channel is acquired at the per-channel gain set in +18. The sequence repeats, starting at CH0 after INx2:0 is acquired.
1	1	Basic Sequence	Acquires channel 0 using the gain set in Gain2:0. Conversion-starts will automatically cycle through the channels from CH0 through INx2:0, but all channels are acquired using the gain set in Gain2:0 rather than using the gains from +18. The sequence repeats, starting at CH0 after INx2:0 is acquired.

SOFTWARE, PERIODIC, AND EXTERNAL START ADC CONVERSION TIMING MODES

ADC data can be acquired periodically, synchronous to an external digital input, or asynchronously via software command.

Single, Asynchronous: If the +10 ADC Timing divisor is zero then writing to +38 or +3C with bit 16 set (to 1) will initiate a single ADC Start Event under software control.

Periodic, Asynchronous: If the +10 ADC Timing divisor is non-zero, and the External ADC Trigger Digital Input Secondary function is *not* enabled, writing to +38 with bit 16 set will initiate a single ADC Start Event, and subsequent events will occur at the rate selected via +10's divisor. This is "software initiated periodic timed ADC" data. Note: configure +3C before this write to +38.

External Trigger, Periodic, Synchronous: If the +10 ADC Timing divisor is non-zero, and the External ADC Trigger Digital Input Secondary function *is* enabled, writing to +38 with bit 16 set *ARMS* the card to begin the periodic collection of ADC data. No data will be collected until the selected edge occurs on the ADC Trigger input. (Refer to +44 for additional details on the Digital I/O Secondary Functions.) Once triggered, data will be collected until manually stopped by writing +38 with bit 16 clear (or various resets, etc.).

External Start, Single, Synchronous: The digital input secondary function "ADC Start" can be configured to initiate individual ADC Start Events on a selected edge input.

SINGLE AND SCAN START MODES

Each ADC Start Event can be configured to start either a Scan of channels or a single channel conversion.

Single Start Mode: Writing to +38 with bit 18 clear (to 0) selects “Single Start Mode”. Each ADC Start Event, regardless of source, will acquire one channel. No subsequent conversions will occur until the next ADC Start Event.

Scan Start Mode: Writing to +38 with bit 18 set (to 1) selects “Scan Start Mode”. Each ADC Start Event will acquire the full configured sequence of channels, starting with CH0 and proceeding through INx2:0, then no further data will be acquired until a subsequent ADC Start Event. The channels within this “scan” of data are acquired at the rate selected via +14. Bit 18 is ignored (assumed zero) if non-Sequenced mode is set (SEQ1:0=00) or if INx2:0=0.

Software Pro Tips:

- Use our API. Avoid accessing the card registers unless you really know you need to. Contact us for any questions, we’re here to help.
- Always use Advanced Sequencer Mode.
- Always prefer Scan Start Mode unless you have unusual timing needs.
- Set the periodic rate at +10, set the inside-scan channel rate at +14, configure External Trigger if you are using it, configure the per-channel gains at +18 and +1C, then write to +3C then +38 to Start or Arm (in Software or ADC Trigger modes, respectively) the Periodic Scans.

Register Overview

Register Offset [hex]	Read /Write	Register Name	Register Description
+0	RW	Resets and Power	Board and Feature Reset command bits and ADC Power-Down control bit and status
+4	W	DAC Control	DAC (LTC2664) Command Register bits
+8	R	DAC 4-20mA mode	Indicates which DACs, if any, have current-output circuit installed
+C	R	ADC Base Clock	Frequency of the ADC Sequencer Base Clock (Hz) used to calculate the ADC Rate Divisor for desired conversion rates
+10	W/R	ADC Rate Divisor	ADC Start Rate = ADC Base Clock / ADC Rate Divisor (this register)
+14	W/R	ADC Rate Divisor #2	Controls rate of channels inside each scan when running in scan-start mode
+18	W/R	ADC #0 ADV Sequence Gain	Each nybble controls the gain code (input range) of the respective ADC channel (0-7)
+1C	W/R	ADC #1 ADV Sequence Gain	Each nybble controls the gain code (input range) of the respective ADC channel (8-15)
+20	W/R	ADC FAF Threshold	ADC FIFO Almost Full Threshold, can be enabled to generate IRQs when the threshold amount of ADC data is available in the FIFO
+28	R	ADC FIFO Count	ADC FIFO Depth: read to determine how much data is available in the FIFO
+30	R	ADC FIFO Data	ADC FIFO
+38	W/R	ADC #0 Control	ADAS3022 #0 and ADC Control bits
+3C	W/R	ADC #1 Control	ADAS3022 #1
+40	W/R	IRQ Enable / Status	IRQ Latch Clear bits and IRQ Enable Control bits / IRQ Latch Status and IRQ Enable Status
+44	W/R	DIO Data	16-bits of DIO Data
+48	W/R	DIO Control	Digital Secondary Function enable bits and direction control for each I/O Group
+68	R	Revision	FPGA code revision

All these registers can be operated from any operating system using any programming language, using either no driver at all (kernel mode, Linux ioperm(3), DOS, etc.) or using one of the ACCES provided drivers (AIOWDM [for Windows], APCI [for Linux & OSX]), or using any 3rd party APIs such as provided with Real-Time OSes. Addresses not explicitly documented are reserved and should not be accessed.

REGISTER DETAILS

Register bits labeled UNUSED or RSV are reserved and should be cleared to zero in all write operations and ignored in all read operations.

Resets and Power, Offset +0 of 64-bit Memory BAR[2+3] Read/Write 32-bits only

bit	D31 THROUGH D7	D6	D5	D4	D3	D2	D1	D0
Name	UNUSED	RST FIFO	RST DIO	UNUSED	RST DAC	PD ADC	RST ADC	RST BOARD

RST FIFO: Writing with bit D6 set will reset the ADC FIFO, returning it to the power-on / reset state: emptying the FIFO by throwing away the contents.

RST DIO: Writing with bit D5 set will reset the Digital I/O circuits to their power-on / reset state: returning all I/O Groups to input mode and disabling secondary functions.

RST DAC: Writing with bit D3 set will reset the Analog Output circuits to their power-on / reset state: $\pm 10V$ range on all DAC outputs with 0V on each output.

PD ADC: Writing a 1 will power the ADAS3022 down. Write a 0 to power the ADAS3022 back up. Only this bit does not auto-clear to zero on write.

RST ADC: Writing a 1 will reset the Analog Input circuits to their power-on / reset state: see each ADC Register for more details

RST BOARD: Writing a 1 will reset the entire device to its power-on / reset state.

All RST bits are “command” bits: a 1 causes the reset to occur, and the reset clears the 1.

DAC Control, Offset +4 of 32-bit Memory BAR[1]Read/Write 32-bits only

bit	D31 through D24	D23 through D20				D19 through D16				D15 through D0			
Name	UNUSED	C3	C2	C1	C0	A3	A2	A1	A0	16-bit DAC Counts (0-FFFF)			

Please refer to the LTC2664 Data Sheet for details.

Consult the AIOAIO Software Reference, or our sample programs’ source, to avoid the hassle:

```
DAC_SetRange1(iBoard, iChannel, iRange);
DAC_OutputV(iBoard, iChannel, double Voltage);
```

DAC 4-20mA mode, Offset +8 of 32-bit Memory BAR[1]Read 32-bits only

bit	D31 through D4	D3	D2	D1	D0
Name	UNUSED	DAC3 current mode only	DAC2 current mode only	DAC1 current mode only	DAC0 current mode only

If a bit is set then that DAC has current-mode output (4-20mA typ) installed and the DAC should only be configured for the 0-5V output range.

ADC Base Clock, Offset +C of 32-bit Memory BAR[1]Read Only 32-bits only

ADC Base Clock: Reading this 32-bit register returns the speed (in Hertz) of the clock used to generate ADC Start Conversions. Typical value is 125Million (125MHz), but for broadest compatibility software should always read this register during init, and always use the read value when calculating what, if any, divisor to write to the ADC Rate Divisor register.

ADC Rate Divisor, Offset +10 of 32-bit Memory BAR[1]Read/Write 32-bits only

ADC Rate Divisor: Write a 32-bit divisor to the ADC Rate Divisor register to control the speed at which ADC Conversions occur in selected ADC Conversion Start Modes.

Actual ADC Start Rate (Hz) = ADC Base Clock \div ADC Rate Divisor
 ADC Rate Divisor = integer(ADC Base Clock \div Target ADC Start Rate)

In ADC Scan Start mode each timeout of the +10 divisor begins a scan of channels. In all other modes the +10 rate selects the conversion rate per-channel.

ADC Rate Divisor #2, Offset +14 of 64-bit Memory BAR[2+3] Read/Write 32-bits only

ADC Rate Divisor #2: Write a 32-bit divisor to the ADC Rate Divisor #2 register to control the speed at which ADC Conversions occur within each scan when running in ADC Scan Start Modes.

In “ADC Scan” start modes only, one Scan of ADC CH0 through the channel selected in +38 INx2:0 bits occurs at the rate selected at +10. During each Scan the first channel is converted immediately, and subsequent channels are acquired at the rate selected at +14.

ADC Advanced Sequencer Gain Control, Offset +18 of 32-bit Memory BAR[1]Read/Write 32-bits only																																
bit	D31	D30	D29	D28	D27	D26	D25	D24	D23	D22	D21	D20	D19	D18	D17	D16	D15	D14	D13	D12	D11	D10	D9	D8	D7	D6	D5	D4	D3	D2	D1	D0
Name	RSV	AIN 7 GAIN2:0			RSV	AIN 6 GAIN2:0			RSV	AIN 5 GAIN2:0			RSV	AIN 4 GAIN2:0			RSV	AIN 3 GAIN2:0			RSV	AIN 2 GAIN2:0			RSV	AIN 1 GAIN2:0			RSV	AIN 0 GAIN2:0		

Each nybble configures the gain of the corresponding Analog Input channel ONLY when the ADC is running in Advanced Sequenced mode.

Table 1 - Gain Codes

GAIN2:0 “gain code”	D2	D1	D0	Range Volts <i>per pin</i> ¹	Range V p-p, MAX ¹	µV/Count	Differential rejection V	Notes
0	0	0	0	±12	49.15	750		The voltage range is shown as recommended max voltage per input pin. The recommendation is slightly narrower than max to allow calibration.
1	0	0	1	±5	20.48	312.5	±5.12	
2	0	1	0	±2.5	10.24	156.3	±7.68	
3	0	1	1	±1.25	5.12	75.13	±8.96	
4	1	0	0	±0.625	2.56	39.06	±9.60	
5	1	0	1	±0.3125	1.28	19.53	±9.92	The voltages that can be <i>measured</i> , between the + input and the – or COMMON inputs, are double: the ±12V range will return voltages between +24V and -24V, or “48V p-p”.
7	1	1	1	±10	40.96	625		

Gain code 6 (110) is reserved and will result in undefined behavior

Note 1: Applying +V to IN+ and -V to IN- (or ADC COMMON) results in 2xV span; reversing the voltage polarity results in another 2xV span, for a total Peak-to-Peak measurement capability of 4xV p-p

ADC Advanced Sequencer Gain Control #2, Offset +1C of 32-bit Memory BAR[1]Read/Write 32-bits only																																
bit	D31	D30	D29	D28	D27	D26	D25	D24	D23	D22	D21	D20	D19	D18	D17	D16	D15	D14	D13	D12	D11	D10	D9	D8	D7	D6	D5	D4	D3	D2	D1	D0
Name	RSV	AIN 15 GAIN2:0			RSV	AIN 14 GAIN2:0			RSV	AIN 13 GAIN2:0			RSV	AIN 12 GAIN2:0			RSV	AIN 11 GAIN2:0			RSV	AIN 10 GAIN2:0			RSV	AIN 9 GAIN2:0			RSV	AIN 8 GAIN2:0		

Each nybble configures the gain of the corresponding Analog Input channel ONLY when the ADC is running in Advanced Sequenced mode.

ADC FIFO Almost Full IRQ Threshold, Offset +20 of 32-bit Memory BAR[1]Read/Write 32-bits only																												
bit	D31 through D12																				D11 through D0							
Name	UNUSED																				FAF							

FAF: Write any 12-bit value (0..4095) to set the amount of entries in the ADC FIFO allowed to accumulate before a FIFO Almost Full IRQ is fired. In Software ADC Start mode (ADC Rate Divisor (+10) cleared to zero) the FIFO is 32-bits wide, able to hold up to 4095 conversion results (+statuses). In all other ADC Start Modes the ADC FIFO is 64-bits wide, holds two ADC Conversions (+statuses) per FIFO entry and the FIFO thus holds 8190 conversion/status pairs. Refer to the ADC FIFO (+30) register description for more details.

ADC FIFO Count, Offset +28 of 32-bit Memory BAR[1]Read-Only 32-bits only																												
bit	D31 through D12																				D11 through D0							
Name	UNUSED																				FIFO Count							

FIFO Count: Read FIFO Count to determine how many entries the ADC FIFO contains. In Software ADC Start Mode (ADC Rate Divisor (+10) cleared to zero) the FIFO Count determines how many ADC Conversions (+statuses) are held in the FIFO. Read the ADC FIFO this many times to gather the acquired ADC Data.

In all other modes the FIFO Count reports the number of *pairs* of ADC Conversions are available in the FIFO. Were you to read the data from the ADC FIFO (+30) you would read two 32-bit values per FIFO Count to gather the acquired data. However, in these modes it is generally best to let DMA transfer the FIFO data, which is performed at the native 64-bit FIFO width.

ADC FIFO Data, Offset +30 of 32-bit Memory BAR[1]Read-Only 32-bits only															
bit	D31	D30	D29	D28	D27	D26	D25	D24	D23	D22 through D20	D19	D18 through D16	D15 through D0		
Name	INVALID=1	RUNNING	UNUSED												
	0 ("VALID")	RSV	DIO1	DIO0	RSV	RSV	TEMP	MUX	SEQ	Channel2:0	Diff	Gain2:0	ADC Counts (Two's complement)		

- ADC FIFO Data: Read the RAW-format ADC Conversion results (in twos-complement 16-bit form) and the associated status word.
- INVALID: If INVALID is SET then all other bits are undefined, and the entry should be discarded. This can occur if you read from the ADC FIFO while the ADC FIFO Count (+28) is zero.
- RUNNING: SET indicates the ADC Sequencer is operating, taking either periodic (timer-driven) conversions or via the external ADC Start secondary digital function.
- DIO1:0: These bits indicate the state of the corresponding digital I/O pin at the time the paired ADC Conversion was sampled.
- TEMP: If TEMP is SET the ADC Counts are acquired from the ADAS3022's onboard temperature sensor rather than from an analog input channel. Refer to ADC Control (+38) for more information about acquiring the temperature data.
- MUX: If MUX is SET the ADC Counts are acquired from the ADAS3022's Auxiliary Mux inputs rather than from the normal Analog Input Channels. Note, the PCIe-ADIO16-16F does not have anything usefully connected to the Aux Mux inputs and you should not bother acquiring data from them.
- SEQ: The SEQ bit indicates which ADC the data is from, and can be thought of as Channel:3. That is, if SEQ is set add +8 to the channel reported by the Channel2:0 bits.
- Channel2:0: The 3 Channel bits indicate from which Analog Input the paired ADC Counts were sampled. Refer to ADC Control (+38) for important information about the Channel bits re Differential operation.
- Diff: SET indicates the paired ADC Counts were sampled in Differential mode. Refer to ADC Control (+38) for important information about the Channel bits re Differential operation.
- Gain2:0: The 3 Gain bits indicate at what gain code the paired ADC Counts were sampled. Refer to the gain code table in ADC Advanced Sequencer Gain Control (+18) for how to interpret the Gain bits.
- ADC Counts: 16-bit two's complement ADC counts, the ADC conversion result from the samples Channel at the specified Gain, sampled in Differential or Singled-ended / Pseudo-Differential mode as indicated by the Diff bit (D19).

Please refer to the "Software Tips" section for details on how to translate RAW-format ADC data into Volts — or skip the hassle and use our AIOAIO.dll API Library:

ADC_GetImmediateV(iBoard, pVolts, iChannel, iRange);, ADC_GetImmediateScanV(iBoard, pVolts[]); etc.

ADC Control, Offset +38 of 32-bit Memory BAR[1]Read/Write 32-bits only																			
bit	D31 through D19		D18	D17	D16	D15	D14 through D12		D11	D10	D9 through D7		D6	D5	D4	D3	D2	D1	D0
Name	UNUSED		SCAN	CONFIG	GO	RSV	INx2:0		COM	RSV	Gain2:0	/MUX	SEQ1	SEQ0	/TEMP	RSV	CMS	RSV	

Controls ADAS #0, channels 0-7

The ADAS3022 is a very flexible ADC module and we highly recommend you use the AIOAIO.dll-provided API to avoid needing to know the following information.

SCAN: If SCAN is set (to 1) AND INx2:0 is non-zero then each "ADC Start" event will acquire channels 0 through INx2:0 at the rate specified in +14.

CONFIG: If CONFIG is set then the ADC control bits (D15 through D0 of this register) will be written to the ADAS3022

- GO: If GO is set then, if +10 is non-zero the card will begin taking ADC conversions or scans at the rate set via +10; if +10 is zero then a single ADC conversion or scan will be taken.
- INx2:0: INx specifies the individual channel to convert (in non-sequenced modes) or the last channel of the 0-INx sequence to be converted.
- COM: If COM is set then each conversion will be the measurement between the IN+ pin and COMMON (single-ended or pseudo-differential mode). If COM is clear then differential mode is set, and each conversion will be the measurement between the IN+ and IN- pins.
- Gain2:0: If BASIC or non-sequenced mode is configured via the SEQ1:0 bits then Gain2:0 selects the gain to be used for the conversion(s) commanded. If advanced sequence mode is configured then these bits are ignored (bits 2:0 at +18 take precedence in advanced sequencer mode)
- /MUX: All users should set this bit to “1” unless otherwise instructed by the factory. If MUX is clear (0) then the conversion will be from the auxiliary mux inputs (in non-sequencer mode) or the sequence will include the aux input (sequencer modes). Not recommended.
- SEQ1:0: Use “00” for non-sequenced mode and “10” for advanced sequencer mode. “11” sets basic sequencer mode, and “01” updates the basic sequence-in-progress. Not recommended.
- /TEMP: If TEMP is clear (0) then the conversion will be from the onboard temperature reference (in non-sequencer mode) or the sequence will include the temperature input (sequencer modes). Not recommended. Most users should set this bit to 1.
- CMS: Must be set if conversion will occur slower than 1kHz. Must be clear if conversions will occur faster than 900kHz.

ADC Control #2, Offset +3C of 32-bit Memory BAR[1]Read/Write 32-bits only

bit	D31 through D19	D18	D17	D16	D15	D14 through D12	D11	D10	D9 through D7	D6	D5	D4	D3	D2	D1	D0
Name	UNUSED	RSV	CONFIG	RSV	RSV	INx2:0	COM	RSV	Gain2:0	/MUX	SEQ1	SEQ0	/TEMP	RSV	CMS	RSV

Controls ADAS #1, channels 8-15. Refer to +38, ADC Control #1, for details.

IRQ Enable/Clear and Status, Offset +40 of 64-bit Memory BAR[2+3] Read/Write 32-bits only

bit	D31	D30 ... D25	D24	D23	D22	D21	D20	D19	D18	D17	D16	D15 ... D9	D8	D7	D6	D5	D4	D3	D2	D1	D0
Name	WDG	UNUSED	EXT1	EXT0	LDAC	FOF	FAF	DTO	DDONE	ADCSTART	ADCTRIG	UNUSED	enEXT1	enEXT0	enLDAC	enFOF	enFAF	enDTO	enDDONE	enADCSTART	enADCTRIG

Read IRQ Status to determine which/if any IRQs have fired (D23...D16), if the Watchdog has Barked (D31), and which IRQs are enabled (D7...D0):

- WDG: If WDG is SET then the Watchdog Timer has Barked (timed out). Refer to Watchdog Control (+4C) for details on using the Watchdog Timer feature.
- EXTn: If EXTn is SET then an IRQ has been fired from the DIO_n Secondary Function “External IRQ_n”. Refer to DIO Control (+48) for details on DIO Secondary Functions.
- LDAC: If LDAC is SET then an IRQ has been fired from the DIO 1 Secondary Function “LDAC”. Refer to DIO Control (+48) for details on DIO Secondary Functions.
- FOF: If FOF is SET then an IRQ has been fired because the ADC FIFO has Overrun: More data was acquired than fit in the ADC FIFO.
- FAF: If FAF is SET then an IRQ has been fired because the ADC FIFO Count (+28) has reached the configured FIFO Almost Full IRQ Threshold (+20).
- DTO: If DTO is SET then a DMA Timeout IRQ has been fired.
- DDONE: If DDONE is SET then a DMA Done IRQ has been fired.
- ADCSTART: If ADCSTART is SET then an IRQ has been fired from the DIO 0 Secondary Function “ADCSTART”. Refer to DIO Control (+48) for details on DIO Secondary Functions.
- ADCTRIG: If ADCTRIG is SET then an IRQ has been fired from the DIO 0 Secondary Function “ADCTRIG”. Refer to DIO Control (+48) for details on DIO Secondary Functions.

Bits D8 through D0 indicate if the corresponding IRQ has been enabled.

Write IRQ Status bits SET to clear the latched IRQ Status bit(s). Typically, code will read +40 and write the value to +40 to clear all detected IRQs and leave the IRQ enables unchanged.

Write IRQ Enable bits SET to enable corresponding IRQ sources.

DIO Data, Offset +44 of 64-bit Memory BAR[2+3] Read/Write 32-bits only

bit	D31 through D16	D15	D14	D13	D12	D11	D10	D9	D8	D7	D6	D5	D4	D3	D2	D1	D0
Name	UNUSED	DIO15	DIO14	DIO13	DIO12	DIO11	DIO10	DIO9	DIO8	DIO7	DIO6	DIO5	DIO4	DIO3	DIO2	DIO1	DIO0
I/O GROUP		I/O Group 1								I/O Group 0							

Read DIO Data to read the digital input pins or to readback the last commanded digital output state.

Write to DIO Data to configure the digital pin(s)' high/low state for those bits in I/O Groups configured as Outputs. SET bits will output high voltage, CLEAR bits will output GND.

Refer to DIO Control (+48) for how to configure the input vs output direction of each I/O Group.

DIO Control, Offset +48 of 64-bit Memory BAR[2+3] Read/Write 32-bits only

bit	D31...D24	D23	D22	D21	D20	D19	D18	D17	D16	D15 through D8	D1	D0
Name	UNUSED	edgeEXT	enEXT	edgeLDAC	enLDAC	edgeSTART	enSTART	edgeTRIG	enTRIG	unused	I0G1	I0G0

Write DIO Control to enable Digital Secondary Functions, and to control the input vs output direction of each Digital I/O Group.

- enEXT: SET enEXT to enable the “External IRQ” Digital Input Secondary Function on DIO 13 so the selected edge on the input will (optionally) generate IRQs.
- enLDAC: SET enLDAC to enable the “External LDAC” Digital Input Secondary Function on DIO12 so the selected edge will cause the DACs to update and optionally generate an IRQ.
- enSTART: SET enSTART to enable the “ADC Start Conversion” Digital Input Secondary Function on DIO 14 so the selected edge will cause an ADC Start Event and optionally generate an IRQ.
- enTRIG: SET enTRIG to enable the “ADC Trigger” Digital Input Secondary Function on DIO15 so the selected edge will trigger timed ADC conversions and optionally generate an IRQ. Consult the “Software Tips” section for details on using ADC Trigger.

Each Digital Input Secondary function has a configurable active edge, rising or falling. SET the corresponding edgeXXX bit to select rising edge, CLEAR the bit for falling edge.

- I0Gx: SET each I0Gx bit to configure the digital I/O bits in the associated I/O Group for use as digital outputs. CLEAR an I0Gx bit to configure the I/O Group for use as inputs.

Watchdog Control, Offset +4C of 64-bit Memory BAR[2+3] Read/Write 32-bits only

bit	D31	D30	D29	D28	D27	D26	D25	D24	D23	D22	D21	D20	D19	D18	D17	D16	D15	D14	D13	D12	D11	D10	D9	D8	D7	D6	D5	D4	D3	D2	D1	D0
Name	Watchdog Timeout																															

Write the number of Ticks (which occur at the ADC Base Clock Rate (+C)) before the Watchdog should timeout (“Bark”); e.g., for a one-second timeout period write the value read from +C to +4C.

When the Watchdog Barks the board is RESET as if just powered on (or as if a 1 is written to the Resets and Power (+0) register) with the following exceptions:

- The “WDT Output Status” output on pin 68 asserts 0.
- Bit D31 of the IRQ Enable/Clear and Status (+40) “WDG” is latched SET to indicate that the Watchdog timed out.

Write 0 to the Watchdog Timeout (+4C) register to disable the Watchdog Feature.

In Windows¹, please consult the various samples (C#, Delphi, and more) to explore how to program the device. The AIOAIO Software Reference Manual.pdf provides reference material covering all AIOAIO Library APIs. A quick reference of the most-applicable functions is provided, below:

¹ In Linux or OSX please refer to the documentation at github.com/accesio/apci.

Under certain circumstances the following information might prove useful:

PCI Express Plug-and-Play Data	
BAR[n]	Description
1:0	DMA Registers
3:2	I/O Registers

NOTE ABOUT PERFORMANCE

The PCI Express bus is capable of very high bandwidth, but the latency per-transaction is roughly the same as all the other busses – it hasn't improved in decades. This means you can expect to usually see a not-less-than 1MHz transaction rate. Typical rates exceed 3MHz [0.3μs].

Unfortunately, modern Operating Systems have introduced a new source of latency, the kernel / userland division. Application code runs in userland, which must transition to the kernel in order to perform any hardware operation. This transition adds quite a lot of latency, which varies between different OSes, motherboards and revisions thereof, etcetera. A Windows XP system can see an additional 7μs per transaction; a modern computer might see 3μs or less. Any transaction from the kernel itself, however, avoids this additional overhead.

Real-time operating systems will enable the highest transaction rates possible, all the way up to the hardware limits.

The latest information can always be found on the product page on the website. Here are some useful links:

Links to useful downloads

ACCES web site	https://acesio.com
Product web page	acesio.com/PCIe-ADIO16-16F
This manual	acesio.com/MANUALS/PCIe-ADIO16-16F.pdf
Install Package (Windows XP->10)	acesio.com/files/packages/PCIe-ADIO16-16F Install.exe
Linux / OSX	github.com/acesio/APCI

CHAPTER 8: SPECIFICATIONS

PC Interface

PCI Express Card	Half-height/ length with latching I/O connector
------------------	---

Analog Inputs

ADC Type	Successive approximation
Resolution	16-bit differential bipolar ADC
Sampling rate	2 Msps aggregate (1MHz per simultaneous ADC)
Number of channels	16+0, 8+4, or 0+8 (SINGLE-ENDED + DIFFERENTIAL) (software selectable)
Differential Bipolar Ranges (V)	±12, ±10, ±5, ±2.5, ±1.25, ±0.625, ±0.3125V with 0, 0, ±5.12, ±7.68, ±8.96, ±9.60, ±9.92V common mode rejection, respectively
4-20mA or 10-50mA	Factory options
Int Nonlinearity Error	±0.6 LSB to ±1.5 LSB depending on gain
No Missing Codes	16 bits
Input Impedance	>500MΩ
A/D Start Sources	Software Start, Timer Start, External Start, Externally Triggered Timer Start
A/D Start Types	Single Channel or Scan
Overvoltage Protection	Current limiting through 2 kΩ
Crosstalk	-120dB @ 10kHz

Analog Outputs

Number	4
Type:	Single-ended
Resolution:	16-bit
Bipolar Ranges:	±2.5V, ±5V, ±10V
Unipolar Ranges:	0-5V, 0-10V, 4-20mA
Settling Time	20us typical, +/-10V (+/-1LSB at 16 bits)
Output Current	max ±10mA per channel

Digital Input / Output Interface

Digital Bits	16, in two 8-bit direction controllable I/O Groups
Performance	1 μs per transaction max (~3.5μs in non-kernel, Windows)
Digital Inputs	Logic High 2.0V to VCCIO (3.3VDC, 5VDC tolerant) Logic Low 0V to 0.8V
Digital Outputs	Logic High 2.0V (min) 24mA source Logic Low 0.55V (max) 24mA sink

Environmental

Temperature	Operating	0°C to +70°C -40°C to +85°C (-T option)
	Storage	-40°C to +105°C
Humidity		5% to 95% RH, non-condensing
Dimensions	Length	92.96mm (3.66")
	Height	56.134mm (2.21")
Weight		53.0 grams

Power

Power required	+3.3VDC @ 400mA (idle) 495mA (full load)
----------------	--

I/O Interface Connectors

On card	68-Pin SCSI Female, with latches
---------	----------------------------------

Model Options

-T	Extended Temperature Operation (-40° to +85°C)
-I / -ID	4-20mA inputs (Singled-ended / Differential)
-PD	Pull downs on digital bits
-Sxx	Special configurations (10-50mA DACs or ADCs, input voltage dividers, conformal coating, etc.)

CHAPTER 9: CERTIFICATIONS

CE & FCC

These devices are designed to meet all applicable EM interference and emission standards. However, as they are intended for use installed on motherboards, and inside the chassis of industrial PCs, important care in the selection of PC and chassis is important to achieve compliance for the computer as a whole.

UL & TUV

Neither DC voltages above 3.3V, nor AC voltages of any kind, are consumed or produced during normal operation of this device. This product is therefore exempt from any related safety standards. Use it with confidence!

ROHS / LEAD-FREE STATEMENT

All models are produced in compliance with RoHS and various other lead-free initiatives.

WARNING

A SINGLE STATIC DISCHARGE CAN DAMAGE YOUR CARD AND CAUSE PREMATURE FAILURE! PLEASE FOLLOW ALL REASONABLE PRECAUTIONS TO PREVENT A STATIC DISCHARGE SUCH AS GROUNDING YOURSELF BY TOUCHING ANY GROUNDED SURFACE PRIOR TO TOUCHING THE CARD. ALWAYS CONNECT AND DISCONNECT YOUR FIELD CABLING WITH THE COMPUTER POWER OFF. ALWAYS TURN

COMPUTER POWER OFF BEFORE INSTALLING A CARD. CONNECTING AND DISCONNECTING CABLES, OR INSTALLING CARDS, INTO A SYSTEM WITH THE COMPUTER OR FIELD POWER ON MAY CAUSE DAMAGE TO THE I/O CARD AND WILL VOID ALL WARRANTIES, IMPLIED OR EXPRESSED.

WARRANTY

Prior to shipment, ACCES equipment is thoroughly inspected and tested to applicable specifications. However, should equipment failure occur, ACCES assures its customers that prompt service and support will be available. All equipment originally manufactured by ACCES which is found to be defective will be repaired or replaced subject to the following considerations:

GENERAL

Under this Warranty, liability of ACCES is limited to replacing, repairing or issuing credit (at ACCES discretion) for any products which are proved to be defective during the warranty period. In no case is ACCES liable for consequential or special damage arriving from use or misuse of our product. The customer is responsible for all charges caused by modifications or additions to ACCES equipment not approved in writing by ACCES or, if in ACCES opinion the equipment has been subjected to abnormal use. "Abnormal use" for purposes of this warranty is defined as any use to which the equipment is exposed other than that use specified or intended as evidenced by purchase or sales

representation. Other than the above, no other warranty, expressed or implied, shall apply to any and all such equipment furnished or sold by ACCES.

TERMS AND CONDITIONS

If a unit is suspected of failure, contact ACCES' Customer Service department. Be prepared to give the unit model number, serial number, and a description of the failure symptom(s). We may suggest some simple tests to confirm the failure. We will assign a Return Material Authorization (RMA) number which must appear on the outer label of the return package. All units/components should be properly packed for handling and returned with freight prepaid to the ACCES designated Service Center, and will be returned to the customer's/user's site freight prepaid and invoiced.

COVERAGE

FIRST THREE YEARS: Returned unit/part will be repaired and/or replaced at ACCES option with no charge for labor or parts not excluded by warranty. Warranty commences with equipment shipment.

FOLLOWING YEARS: Throughout your equipment's lifetime, ACCES stands ready to provide on-site or in-plant service at reasonable rates similar to those of other manufacturers in the industry.

EQUIPMENT NOT MANUFACTURED BY ACCES

Equipment provided but not manufactured by ACCES is warranted and will be repaired according to the terms and conditions of the respective equipment manufacturer's warranty.

DISCLAIMER

The information in this document is provided for reference only. ACCES does not assume any liability arising out of the application or use of the information or products described herein. This document may contain or reference information and products protected by copyrights or patents and does not convey any license under the patent rights of ACCES, nor the rights of others.