



## Data Sheet

### Wireless Modem Radio Transceivers

#### FEATURES

- ★ Wireless serial data transfer to any equipment with a serial port
- ★ Seamlessly & transparently integrate ACCES Wireless Modem into existing interfaces
- ★ RS-232, or RS-422/485 Interface options on the Base Station Assembly
- ★ Distances up to 7 miles with the standard Dipole antenna

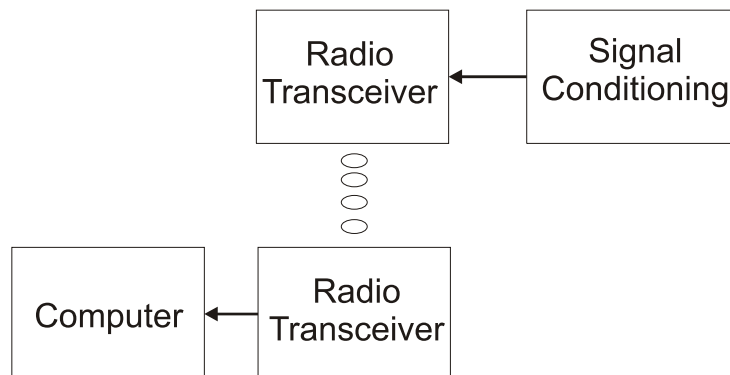
#### DESCRIPTION

The Wireless Modem unit can provide a radio communication link between any two pieces of equipment via serial port. These units can be configured in a number of ways including 900MHz or 2.4GHz modules as a stand base station or integrated into our REMOTE Data Acquisition Pods.

#### SPECIFICATIONS:

##### BASE STATION

<b>External Power:</b>	+5 VDC +/-5%
<b>Alternate External Power:</b>	+7 VDC to +18V
<b>Baud Rate:</b>	Selectable (see Radio Specifications)
<b>Serial Data Format:</b>	8 Character, No Parity, 1 Stop Bit 7 Character, Even Parity, 1 Stop Bit 7 Character, Odd Parity, 1 Stop Bit 7 Character, No Parity, 2 Stop Bits
<b>Radio Data Buffers</b>	132 Byte Data Input 132 Byte Data Output
<b>Operating Temperature Range</b>	-45 to +85 C
<b>Storage Temperature Range</b>	-50 to +120 C
<b>Humidity</b>	5% to 95% Non-condensing



**Data Acquisition via Radio**

## RADIO SPECIFICATION

900MHz model	9600 bps throughput	19200 bps throughput
<b>General</b>		
<b>Frequency range</b>	902 to 928 MHz, Unlicensed ISM Band	
<b>Type</b>	Frequency Hopping Spread Spectrum Transceiver	
<b>Throughput</b>	9600 bps	19200 bps
<b>Performance</b>		
<b>Transmit output power</b>	100mW	100mW
<b>Rx Sensitivity</b>	-110dBm	-107dBm
<b>Range</b>	Indoor: 600' to 1500' Outdoor: 7 mi. with dipole, over 20 mi with a high gain antenna	Indoor: 425' to 1060' Outdoor: 5 mi. with dipole, over 14 mi with a high gain antenna
<b>Interference Rejection</b>	70dB at Pager and Cellular Phone Frequencies	

2.4GHz model	9600 bps throughput	19200 bps throughput
<b>General</b>		
<b>Frequency range</b>	2.40 to 2.4835 GHz, Unlicensed ISM Band	
<b>Type</b>	Frequency Hopping Spread Spectrum Transceiver	
<b>Performance</b>		
<b>Transmit output power</b>	50mW	50mW
<b>Rx Sensitivity</b>	-104dBm	-101dBm
<b>Range</b>	Indoor: 150' to 375' Outdoor: 1.4 mi. with dipole, over 12 mi with a high gain antenna	Indoor: 106' to 265' Outdoor: 1 mi. with dipole, over 8.5 mi with a high gain antenna
<b>Interference Rejection</b>	70dB at Pager and Cellular Phone Frequencies	

### Ordering information:

Call for pricing and availability

### Part Number Structure

WM-XX-YY-ZZZ	
<b>XX</b>	09 = the 900MHz Module 24 = the 2.4GHz Module
<b>YY</b>	NA = no Antenna DP = Dipole Antenna
<b>ZZZ</b>	232 = RS232 serial protocol 485 = Field Selectable RS422 or RS485