



10623 Roselle Street, San Diego, CA 92121 • (858) 550-9559 • Fax (858) 550-7322
contactus@accessio.com • www.accessio.com

MODEL USB-COM-4SM

USER MANUAL

FILE: MUSB-COM-4SM.A1g

Notice

The information in this document is provided for reference only. ACCES does not assume any liability arising out of the application or use of the information or products described herein. This document may contain or reference information and products protected by copyrights or patents and does not convey any license under the patent rights of ACCES, nor the rights of others.

IBM PC, PC/XT, and PC/AT are registered trademarks of the International Business Machines Corporation.

Printed in USA. Copyright 2005 by ACCES I/O Products, Inc. 10623 Roselle Street, San Diego, CA 92121. All rights reserved.

WARNING!!

ALWAYS CONNECT AND DISCONNECT YOUR FIELD CABLING WITH THE COMPUTER POWER OFF. ALWAYS TURN COMPUTER POWER OFF BEFORE INSTALLING A BOARD. CONNECTING AND DISCONNECTING CABLES, OR INSTALLING BOARDS INTO A SYSTEM WITH THE COMPUTER OR FIELD POWER ON MAY CAUSE DAMAGE TO THE I/O BOARD AND WILL VOID ALL WARRANTIES, IMPLIED OR EXPRESSED.

Warranty

Prior to shipment, ACCES equipment is thoroughly inspected and tested to applicable specifications. However, should equipment failure occur, ACCES assures its customers that prompt service and support will be available. All equipment originally manufactured by ACCES which is found to be defective will be repaired or replaced subject to the following considerations.

Terms and Conditions

If a unit is suspected of failure, contact ACCES' Customer Service department. Be prepared to give the unit model number, serial number, and a description of the failure symptom(s). We may suggest some simple tests to confirm the failure. We will assign a Return Material Authorization (RMA) number which must appear on the outer label of the return package. All units/components should be properly packed for handling and returned with freight prepaid to the ACCES designated Service Center, and will be returned to the customer's/user's site freight prepaid and invoiced.

Coverage

First Three Years: Returned unit/part will be repaired and/or replaced at ACCES option with no charge for labor or parts not excluded by warranty. Warranty commences with equipment shipment.

Following Years: Throughout your equipment's lifetime, ACCES stands ready to provide on-site or in-plant service at reasonable rates similar to those of other manufacturers in the industry.

Equipment Not Manufactured by ACCES

Equipment provided but not manufactured by ACCES is warranted and will be repaired according to the terms and conditions of the respective equipment manufacturer's warranty.

General

Under this Warranty, liability of ACCES is limited to replacing, repairing or issuing credit (at ACCES discretion) for any products which are proved to be defective during the warranty period. In no case is ACCES liable for consequential or special damage arriving from use or misuse of our product. The customer is responsible for all charges caused by modifications or additions to ACCES equipment not approved in writing by ACCES or, if in ACCES opinion the equipment has been subjected to abnormal use. "Abnormal use" for purposes of this warranty is defined as any use to which the equipment is exposed other than that use specified or intended as evidenced by purchase or sales representation. Other than the above, no other warranty, expressed or implied, shall apply to any and all such equipment furnished or sold by ACCES.

Table of Contents

Chapter 1: Introduction	5
RS422 Balanced Mode Operation	5
RS485 Balanced Mode Operation	5
Specifications	6
Figure 1-1: Block Diagram(Only one serial channel shown)	7
Chapter 2: Installation	8
Chapter 3: Option Selection	9
Figure 3-1: Simplified Termination Schematic	9
Figure 3-2: Option Selection Map	10
Chapter 4: Programming	11
Chapter 5: Connector Pin Assignments	12
Table 5-1: Connector Pin Assignments	12
Appendix A: Application Considerations	13
Table A-1: Connections Between Two RS422 Devices	13
Table A-2: RS422/485 Specification Summary	14
RS485 Data Transmission	14
Figure A-1: Typical RS485 Two-Wire Multidrop Network	15

Chapter 1: Introduction

This Serial Adapter was designed for effective multipoint transmission in any one of three modes on each channel. These modes are RS232, RS422 and RS485 (EIA485) protocol.

The card features four independent, asynchronous serial ports.

RS422 Balanced Mode Operation

The board supports RS422 communications and uses differential balanced drivers for long range and noise immunity. The board also has the capability to add load resistors to terminate the communications lines. RS422 communications requires that a transmitter supply a bias voltage to ensure a known "zero" state. Also, receiver inputs at each end of the network should be terminated to eliminate "ringing". The board supports biasing by default and supports termination by jumpers on the card. If your application requires the transmitter to be un-biased, please contact the factory.

RS485 Balanced Mode Operation

The board supports RS485 communications and uses differential balanced drivers for long range and noise immunity. RS485 operation involves switchable transceivers and the ability to support multiple devices on a single "party line". The RS485 specification defines a maximum of 32 devices on a single line. The number of devices served on a single line can be expanded by use of "repeaters".

This board also has the capability to add load resistors to terminate the communications lines. RS485 communications requires that one transmitter supply a bias voltage to ensure a known "zero" state when all transmitters are off. Also, receiver inputs at each end of the network should be terminated to eliminate "ringing". The card supports biasing by default and supports termination by jumpers on the card. If your application requires the transmitter to be un-biased, please contact the factory.

COM Port Compatibility

The FT232BM UARTs are used as Asynchronous Communication Elements (ACE). These include 128-byte transmit & 384-byte receive buffers to protect against lost data in multitasking operating systems, while maintaining 100 percent compatibility with the original IBM serial port. The system assigns the address(es).

A crystal oscillator is located on the board. This oscillator permits precise selection of baud rate up to 921.6K bps.

The driver/receiver used (SP491 in non-RS232 modes) is capable of driving extremely long communication lines at high baud rates. It can drive up to +60 mA on balanced lines and receive inputs as low as 200 mV differential signal superimposed on common mode noise of +12 V or -7 V. In case of communication conflict, the driver/receivers feature thermal shutdown.

The driver/receiver used in RS232 mode is the ICL3243.

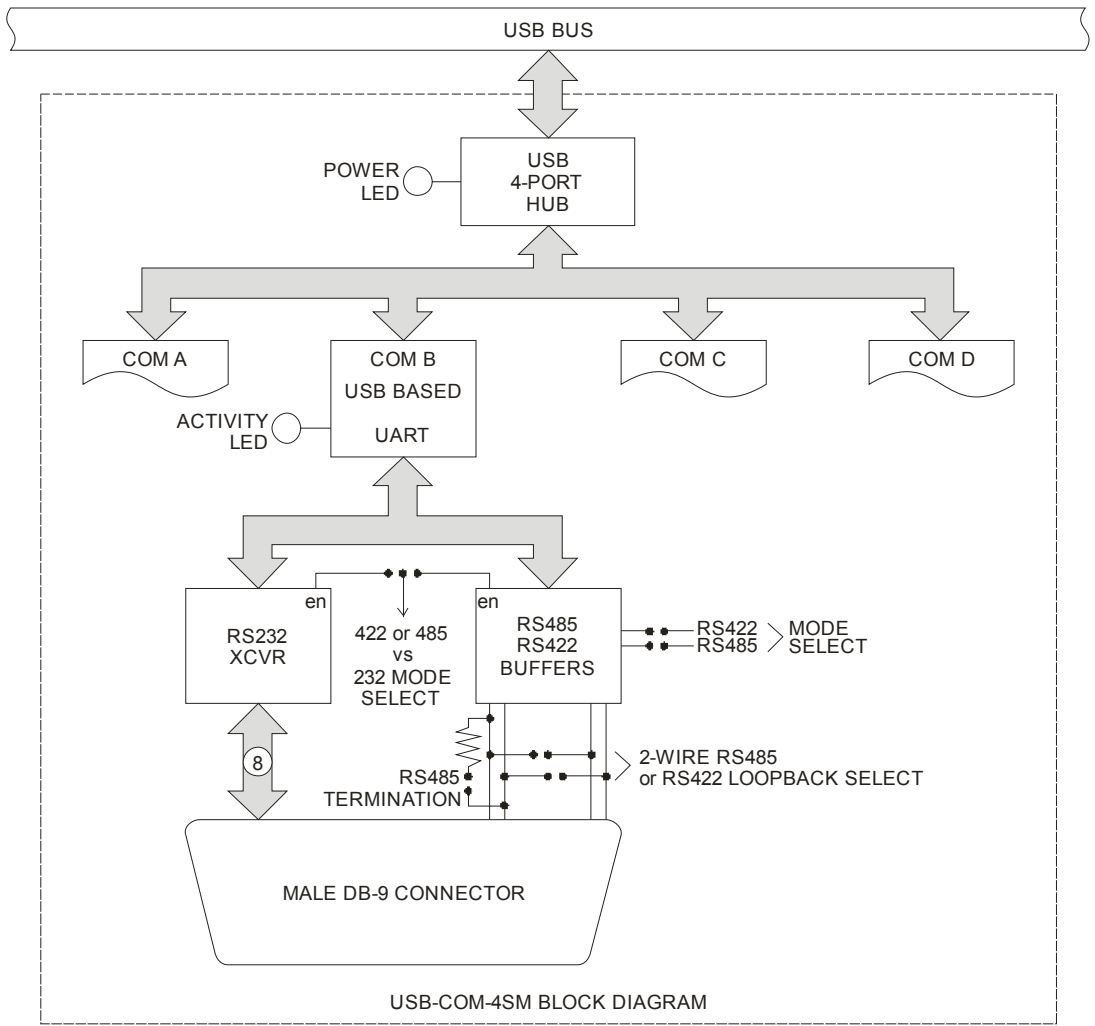


Figure 1-1: Block Diagram(Only one serial channel shown)

Chapter 2: Installation

Software CD Installation

These paragraphs are intended to detail the software installation steps as well as describe what is being installed.

The software provided with this board is contained on one CD and ***must be installed onto your hard disk prior to use.*** To do this, perform the following steps as appropriate for your operating system. Substitute the appropriate drive letter for your drive where you see d: in the examples below.

WIN98/Me/2000/XP/2003

- a. Place the CD into your CD-ROM drive.
- b. The CD should automatically run the install program. If the install program does not click START | RUN and type `D:\I\N\S\T\A\L\L`, click OK or press `Enter`.
- c. Follow the on-screen prompts to install the software for this board.

Installing the Adapter

The board's adapter can be a USB port of an IBM or compatible computer. Before installing the adapter, carefully read the OPTION SELECTION section of this manual and configure the adapter according to your requirements. In Windows, the SETUP.EXE program will lead you through the process of setting the options on the board. The setup program does not set the options. These must be set manually by jumpers on the board, within the case of the adapter.

To Install the Adapter

1. Install jumpers from either the Option Selection section of this manual or the suggestions of the SETUP.EXE software program.
2. Enter the CMOS setup program of your system and verify that the USB plug-and-play option is set appropriately for your system. Systems running Windows 98/2000/XP (or any other PNP-compliant Operating System) should set the CMOS option to OS.

Chapter 3: Option Selection

To help you locate the jumpers described in this section, refer to the Option Selection Map at the end of this section. Operation of the serial communications section is determined by jumper installation as described in the following paragraphs.

For the convenience of the user, the jumpers are clearly silk screened.

Terminations

A transmission line should be terminated at the receiving end in its characteristic impedance. Installing a jumper at the locations labeled RS485-LD applies a 120Ω load across the transmit/receive input/output for RS485 operation.

Jumpers having to do with the termination of each channel are located near the output connector. They are labeled by channel. The load jumper is labeled “RS485-LD”. The other two jumpers are used to connect the transmit and receive lines for the two wire RS485 mode.

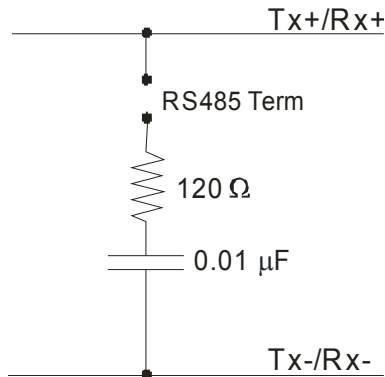


Figure 3-1: Simplified Termination Schematic

In RS485 operations where there are multiple terminals, only the RS485 ports at each end of the network should have terminating impedance as described above. To terminate the COM A port, place a jumper at the location labeled Ch A –RS485. To terminate the COM B, COM C or COM D ports, place jumpers at locations labeled Ch B – RS485, Ch C – RS485 and Ch D – RS485 respectively.

Also, for RS485 operation, there must be a bias on the TRX+ and TRX- lines. If the adapter is not to provide that bias, contact the factory technical support.

Data Cable Wiring

Signal	Pin Connection
Ain/out+	2
Ain/out-	3
100 Ω to Ground	5

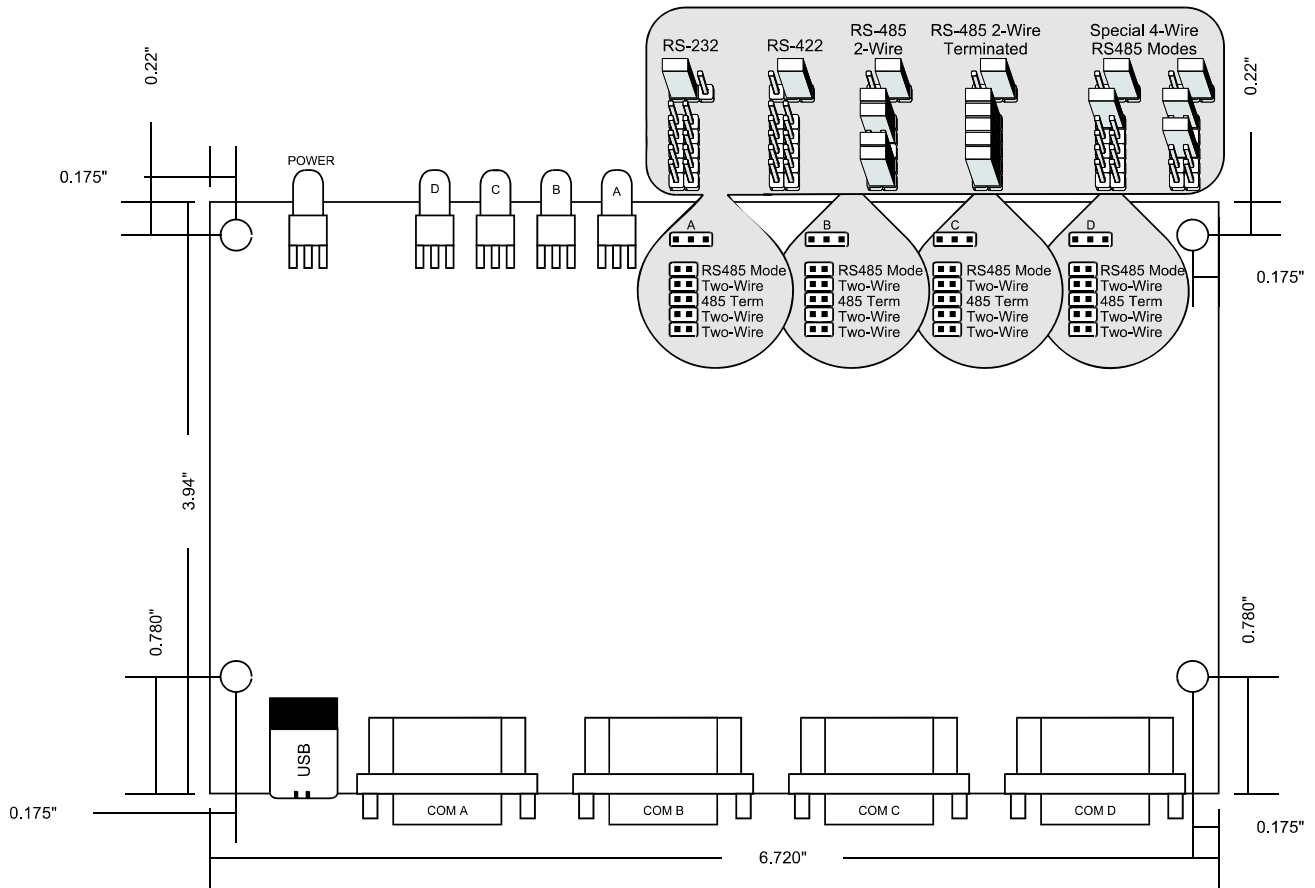


Figure 3-2: Option Selection Map

The board has 4 separate channels which can be individually configured. Each channel can be used in one of four modes:

- 1) RS232 - Install the top jumper in the RS232 position (left)
- 2) RS422 - Install the top jumper in the RS422/RS485 position (right)
- 3) RS485 (4 wire) - Install the top jumper in the RS422/RS485 position (right) and the RS485 mode jumper.
- 4) RS485 (2 wire mode) - Install the top jumper in the RS422/RS485 position (right), the RS485 Mode jumper, the RS485 TxRx+ jumper and the RS485 TxRx- jumper.

To provide a termination load in the RS485 mode, install the appropriate RS485 TERM jumper.

The jumpers on the card must be properly placed in order to have the card function properly.

Notes: Any unneeded jumpers that are installed can cause the adapter to function incorrectly.

Chapter 4: Programming

Sample Programs

There are sample programs provided with the board in several Windows languages. Windows samples are located in the WIN32 directory.

Windows Programming

The board installs into Windows as COM ports. Thus the Windows standard API functions can be used. In particular:

- ▶ CreateFile() and CloseHandle() for opening and closing a port.
- ▶ SetupComm(), SetCommTimeouts(), GetCommState(), and SetCommState() to set and change a port's settings.
- ▶ ReadFile() and WriteFile() for accessing a port.

See the documentation for your chosen language for details.

Address Map

The core of the UART function is supplied by the FTDI FT232BM chip.

Chapter 5: Connector Pin Assignments

Input/Output Connections

The Serial Communications board uses four individual DB9 connectors.

Proper EMI cabling techniques include using shielded twisted-pair wiring for the input/output wiring.

DB-9 Male Pin for each of Ch A-D	RS-232 Signals (Industry Standard)	RS-485 Signals (2 Wire)	RS-422 Signals (Also 4wire RS485)
Ch x - 1	DCD	RX-/TX- ¹	RX-
Ch x - 2	RX	TX+/RX+ ¹	TX+
Ch x - 3	TX	TX-/RX- ¹	TX-
Ch x - 4	DTR		
Ch x - 5	Gnd	Gnd	Gnd
Ch x - 6	DSR		
Ch x - 7	RTS		
Ch x - 8	CTS		
Ch x - 9	RI	RX+/TX+ ¹	RX+

Table 5-1: Connector Pin Assignments

¹ RS485 (2 wire) requires the installation of jumpers on the card to properly connect these pins.

Appendix A: Application Considerations

Introduction

Working with RS422 and RS485 devices is not much different from working with standard RS232 serial devices and these two standards overcome deficiencies in the RS232 standard. First, the cable length between two RS232 devices must be short; less than 50 feet at 9600 baud. Second, many RS232 errors are the result of noise induced on the cables. The RS422 standard permits cable lengths up to 5000 feet and, because it operates in the differential mode, it is more immune to induced noise.

Connections between two RS422 devices (with CTS ignored) should be as follows:

Device #1		Device #2	
Signal	Pin No.	Signal	Pin No.
Gnd	5	Gnd	5
TX ⁺	2	RX ⁺	9
TX ⁻	3	RX ⁻	1
RX ⁺	9	TX ⁺	2
RX ⁻	1	TX ⁻	3

Table A-1: Connections Between Two RS422 Devices

A third deficiency of RS232 is that more than two devices cannot share the same cable. This is also true for RS422 but RS485 offers all the benefits of RS422 plus allows up to 32 devices to share the same twisted pairs. An exception to the foregoing is that multiple RS422 devices can share a single cable if only one will talk and the others will all receive.

Balanced Differential Signals

The reason that RS422 and RS485 devices can drive longer lines with more noise immunity than RS232 devices is that a balanced differential drive method is used. In a balanced differential system, the voltage produced by the driver appears across a pair of wires. A balanced line driver will produce a differential voltage from +2 to +6 volts across its output terminals. A balanced line driver can also have an input "enable" signal that connects the driver to its output terminals. If the "enable signal is OFF, the driver is disconnected from the transmission line. This disconnected or disabled condition is usually referred to as the "tristate" condition and represents a high impedance. RS485 drivers must have this control capability. RS422 drivers may have this control but it is not always required.

A balanced differential line receiver senses the voltage state of the transmission line across the two signal input lines. If the differential input voltage is greater than +200 mV, the receiver will provide a specific logic state on its output. If the differential voltage input is less than -200 mV, the receiver will provide the opposite logic state on its output. A maximum operating voltage range is from +6V to -6V allows for voltage attenuation that can occur on long transmission cables.

A maximum common mode voltage rating of +7V provides good noise immunity from voltages induced on the twisted pair lines. The signal ground line connection is necessary in order to keep the

common mode voltage within that range. The circuit may operate without the ground connection but may not be reliable.

Parameter	Conditions	Min.	Max.
Driver Output Voltage (unloaded)		4V	6V
		-4V	-6V
Driver Output Voltage (loaded)	RS485 TERM	2V	
	jumpers in	-2V	
Driver Output Resistance			50Ω
Driver Output Short-Circuit Current			+150 mA
Driver Output Rise Time			10% unit interval
Receiver Sensitivity			+200 mV
Receiver Common Mode Voltage Range			+7V
Receiver Input Resistance			4KΩ

Table A-2: RS422/485 Specification Summary

To prevent signal reflections in the cable and to improve noise rejection in both the RS422 and RS485 mode, the receiver end of the cable should be terminated with a resistance equal to the characteristic impedance of the cable. (An exception to this is the case where the line is driven by an RS422 driver that is never "tristated" or disconnected from the line. In this case, the driver provides a low internal impedance that terminates the line at that end.)

Note

You do not have to add a terminator resistor to your cables when you use the adapter. Termination resistors for the RX+ and RX- lines are provided on the card and are placed in the circuit when you install the RS 485 jumpers. (See the Option Selection section of this manual.)

RS485 Data Transmission

The RS485 Standard allows a balanced transmission line to be shared in a party-line mode. As many as 32 driver/receiver pairs can share a two-wire party line network. Many characteristics of the drivers and receivers are the same as in the RS422 Standard. One difference is that the common mode voltage limit is extended and is +12V to -7V. Since any driver can be disconnected (or tristated) from the line, it must withstand this common mode voltage range while in the tristate condition.

The following illustration shows a typical multidrop or party line network. Note that the transmission line is terminated on both ends of the line but not at drop points in the middle of the line.

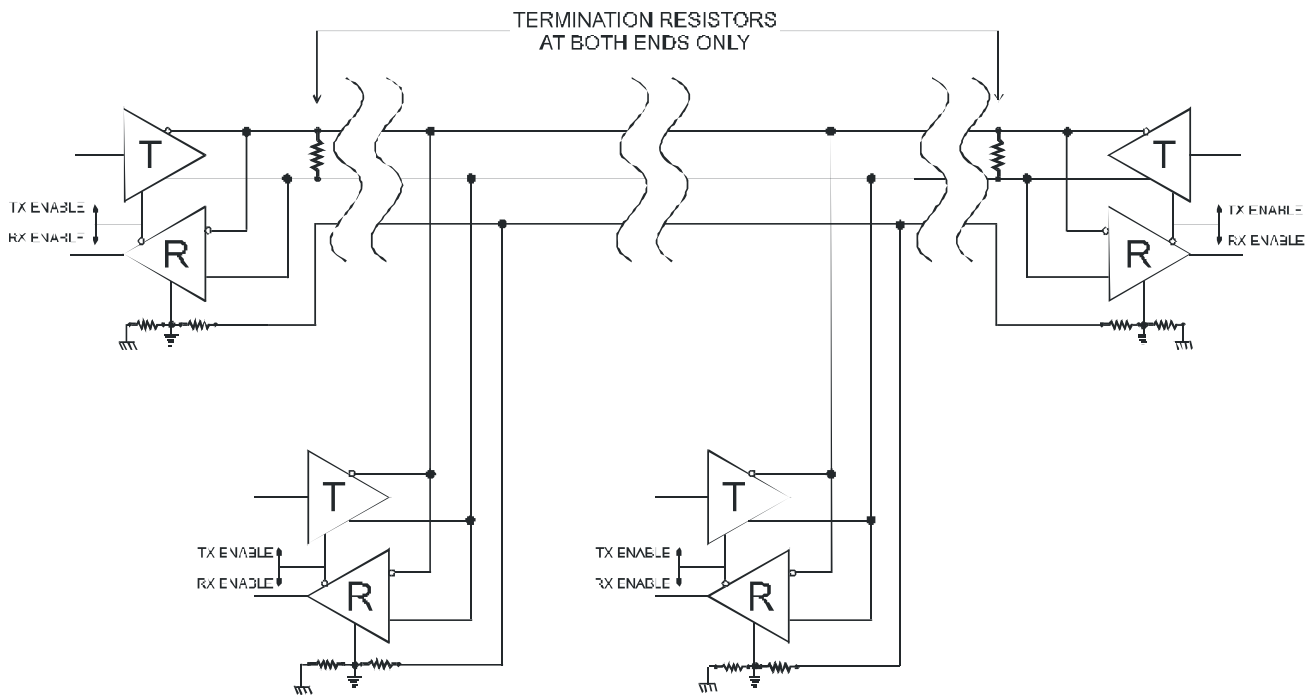


Figure A-1: Typical RS485 Two-Wire Multidrop Network

RS485 Four-Wire Multidrop Network

An RS485 network can also be connected in a four-wire mode. In a four-wire network it's necessary that one node be a master node and all others be slaves. The network is connected so that the master communicates to all slaves and all slaves communicate only with the master. This has advantages in equipment that uses mixed protocol communications. Since the slave nodes never listen to another slave's response to the master, a slave node cannot reply incorrectly.

Customer Comments

If you experience any problems with this manual or just want to give us some feedback, please email us at: ***manuals@acesio.com***. Please detail any errors you find and include your mailing address so that we can send you any manual updates.



10623 Roselle Street, San Diego CA 92121
Tel. (858)550-9559 FAX (858)550-7322
www.acesio.com