

# ETX Component SBC™

## ETX Design Guide

Document Revision 1.8



**kontron**  
*... always a Jump ahead!*

# CONTENTS

<b>1. USER INFORMATION</b> .....	<b>4</b>
1.1 Objective .....	4
1.2 Target Audience .....	4
1.3 Assumptions.....	4
1.4 Scope.....	4
1.5 About This Manual .....	4
1.6 Copyright Notice .....	5
1.7 Trademarks .....	5
1.8 Standards .....	5
1.9 Warranty.....	6
1.10 Technical Support .....	6
<b>2. INTRODUCTION</b> .....	<b>7</b>
2.1 ETX Documentation .....	7
2.2 ETX Benefits .....	7
2.2.1. Schematic Drawing Notes .....	8
<b>3. CONNECTOR X1</b> .....	<b>9</b>
3.1 Connector X1 Schematic .....	9
3.2 ETX Connector X1 Pinout .....	10
Peripheral Component Interconnect (PCI) Bus .....	11
3.3.1. PCI Implementation Notes.....	12
3.3.2. Differences Among PCI Slots .....	12
3.4 Universal Serial Bus (USB) .....	16
3.4.1. USB Port 0 and 1 .....	16
3.4.2. USB Ports 2 and 3 .....	17
3.4.3. USB Implementation Notes .....	18
3.5 Audio Circuits .....	19
3.5.1. Audio Implementation Notes .....	20
<b>4. CONNECTOR X2</b> .....	<b>21</b>
4.1 ETX Connector X2 Schematic .....	21
4.2 ETX Connector X2 Pinout .....	22
4.3 Industry Standard Architecture (ISA) Bus Slot.....	23
4.3.1. ISA Implementation Notes .....	24
<b>5. CONNECTOR X3</b> .....	<b>25</b>
5.1 ETX Connector X3 Schematic .....	25
5.2 ETX Connector X3 Pinout .....	26
5.3 Analog Video (VGA) Output.....	28
5.3.1. VGA Implementation Notes.....	29
5.4 Flat Panel LVDS Interface / JILI Standard .....	29
5.4.1. LVDS Advantages.....	29

5.4.2. LVDS Routing and Wiring Considerations .....	29
5.4.3. LVDS Variations .....	30
5.4.4. JILI Flat Panel Interface Standard .....	31
5.4.5. JILI Baseboard Connector Schematic .....	32
5.4.6. LVDS Signal Mapping on JILI Connector Pins .....	33
5.4.7. JILI Implementation Notes .....	33
5.5 Flat Panel Digital (FPD) Interface / JIDI Standard .....	34
5.6 Television (TV) Out .....	35
5.7 Serial Ports 1 and 2 .....	36
5.7.1. Serial Port Implementation Notes .....	37
5.8 IRDA .....	37
5.9 Keyboard and Mouse .....	38
5.10 Parallel Port .....	39
5.10.1. Parallel Port Implementation Notes .....	40
5.10.2. Floppy Drive Operation Over the Parallel Port Connector .....	40
5.10.3. Options for Simultaneous Floppy and Parallel Port Operation .....	40
<b>6. CONNECTOR X4 .....</b>	<b>42</b>
6.1 ETX Connector X4 Schematic .....	42
6.2 ETX Connector X4 Pinout .....	43
6.3 IDE Ports .....	44
6.3.1. IDE Port Implementation Notes .....	45
6.3.2. CompactFlash Socket on IDE Port .....	46
6.3.3. CompactFlash Socket Implementation Notes .....	47
6.4 Ethernet Circuits .....	48
6.4.1. Ethernet Implementation Notes .....	50
6.4.2. Ethernet LEDs .....	51
6.5 Miscellaneous Circuits .....	52
6.5.1. Speaker .....	52
6.5.2. Battery .....	52
6.5.3. I <sup>2</sup> C Bus .....	52
6.5.4. SM Bus .....	52
6.5.5. Power Good / Reset Input .....	53
6.5.6. Keyboard Inhibit .....	53
6.5.7. ATX Power Supply Control .....	53
6.5.8. OVCR# .....	54
6.5.9. External SMI Interrupt .....	54
<b>7. POWER SUPPLY RECOMMENDATIONS .....</b>	<b>55</b>
7.1 Power Requirements .....	55
7.2 Power Supply Considerations .....	55
<b>8. MECHANICAL CONSIDERATIONS .....</b>	<b>57</b>
8.1 Baseboard Layout Drawing .....	57
8.2 Module Dimensions .....	57
<b>9. APPENDIX F: PC ARCHITECTURE INFORMATION .....</b>	<b>58</b>

9.1 Buses.....	58
9.1.1. ISA, Standard PS/2 – Connectors.....	58
9.1.2. PCI/104.....	58
9.2 General PC Architecture.....	59
9.3 Ports.....	59
9.3.1. RS-232 Serial.....	59
9.3.2. Serial ATA.....	59
9.3.3. USB.....	60
9.4 Programming.....	60
<b>10. APPENDIX G: DOCUMENT-REVISION HISTORY.....</b>	<b>61</b>

# 1. USER INFORMATION

## 1.1 *Objective*

This document is intended as a guide for designing a custom system baseboard for ETX modular computers. This guide includes reference schematics for the external circuitry required to implement the various ETX peripheral functions, as well as related comments and application notes. This guide also shows how to extend the PCI and ISA buses to add additional peripherals or expansion slots to an ETX system.

## 1.2 *Target Audience*

This guide is intended for hardware engineers who design custom system baseboards for ETX modular computers.

## 1.3 *Assumptions*

The reader is assumed to have a hardware engineering background as well as experience with personal computer buses and peripheral interfaces. A working knowledge of multi-layer printed circuit board design practices also is assumed. Appendix A (PC Architecture Information) contains some suggested references for readers desiring a more extensive presentation of topics such as PCI and ISA buses and the IDE (ATAPI) interface.

## 1.4 *Scope*

The circuits presented in this guide are typical application circuits. They may not be suitable for all applications. In particular, additional components may need to be added to these circuits in order to meet specific ESD (electrostatic discharge), EMC (electromagnetic compatibility), or safety isolation requirements. Such regulatory requirements and the techniques for meeting them vary by industry and are beyond the scope of this document.

## 1.5 *About This Manual*

This document provides information about products from Kontron Embedded Computers AG and/or its subsidiaries. No warranty of suitability, purpose, or fitness is implied. While every attempt has been made to ensure that the information in this document is accurate, the information contained within is supplied "as-is" and can change without notice.

For the circuits, descriptions and tables indicated, Kontron assumes no responsibility as far as patents or other rights of third parties are concerned.

## 1.6 **Copyright Notice**

Copyright © 2004 Kontron Embedded Computers AG.

All rights reserved. No part of this manual may be reproduced, transmitted, transcribed, stored in a retrieval system, or translated into any language or computer language, in any form or by any means (electronic, mechanical, photocopying, recording, or otherwise), without the express written permission of Kontron.

JUMPt<sup>ec</sup> Industrielle Computertechnik AG and Kontron Embedded Computers AG merged in July 2002. JUMPt<sup>ec</sup> is now known as Kontron Embedded Modules GmbH. Products labeled and sold under the Kontron Embedded Modules name (formerly JUMPt<sup>ec</sup>) are now considered Kontron products for all practical purposes, including warranty and support.

DIMM-PC®, PISA®, ETX Components SBC, JUMPt<sup>ec</sup>®, and Kontron Embedded Modules are registered trademarks of Kontron Embedded Modules GmbH©.

## 1.7 **Trademarks**

The following lists the trademarks of components used in this board.

- IBM, XT, AT, PS/2 and Personal System/2 are trademarks of International Business Machines Corp.
- Microsoft is a registered trademark of Microsoft Corp.
- Intel is a registered trademark of Intel Corp.
- All other products and trademarks mentioned in this manual are trademarks of their respective owners.

## 1.8 **Standards**

Kontron Embedded Modules is certified to ISO 9000 standards.

## 1.9 *Warranty*

This Kontron Embedded Modules product is warranted against defects in material and workmanship for the warranty period from the date of shipment. During the warranty period, Kontron Embedded Modules will at its discretion decide to repair or replace defective products.

Within the warranty period, the repair of products is free of charge as long as warranty conditions are observed.

The warranty does not apply to defects resulting from improper or inadequate maintenance or handling by the buyer, unauthorized modification or misuse, operation outside of the product's environmental specifications or improper installation or maintenance.

Kontron Embedded Modules will not be responsible for any defects or damages to other products not supplied by Kontron Embedded Modules that are caused by a faulty Kontron Embedded Modules product.

## 1.10 *Technical Support*

Technicians and engineers from Kontron Embedded Modules and/or its subsidiaries are available for technical support. We are committed to making our product easy to use and will help you use our products in your systems.

Before contacting Kontron Embedded Modules technical support, please consult our Web site for the latest product documentation, utilities, and drivers. If the information does not help solve the problem, contact us by telephone.

<b>Asia</b>	<b>Europe</b>	<b>North/South America</b>
Kontron Asia	Kontron Embedded Modules	Kontron Americas
5F-1, 341, Sec 4 Chung Hsiao E. Road Taipei, Taiwan	Brunnwiesenstr. 16 94469 Deggendorf – Germany	3988 Trust Way Hayward, CA 94545
Tel: +886 2 2751 7192	Tel: +49 (0) 991-37024-0	Tel: 510-732-6900
Fax: +886 2 2772 0314	Fax: +49 (0) 991-37024-109	Fax: 510-732-7655

## 2. INTRODUCTION

### 2.1 *ETX Documentation*

This *ETX Design Guide* is intended as one of three principal references for an ETX design.

- The *ETX Specification* defines the ETX module form factor, pinout and signals. We suggest that you read this document first. You can find the document on the Kontron Web site.
- The *ETX Design Guide* is intended as a general guide for baseboard design, with a focus on maximum flexibility to accommodate a range of ETX modules.
- The user guides for specific ETX modules document their specifications and features. You can find all the user guides for the various ETX modules on the Kontron Web site.

### 2.2 *ETX Benefits*

Embedded technology extended (ETX) modules are very compact (~100mm square, 12mm thick), highly integrated computers. All ETX modules feature a standardized form factor and a standardized connector layout that carry a specified set of signals. This standardization allows designers to create a single-system baseboard that can accept present and future ETX modules.

ETX modules include common personal computer (PC) peripheral functions such as:

- Graphics
- Parallel, Serial, and USB ports
- Keyboard/mouse
- Ethernet
- Sound
- IDE

The baseboard designer can optimize exactly how each of these functions implements physically. Designers can place connectors precisely where needed for the application on a baseboard designed to optimally fit a system's packaging.



Peripheral PCI or ISA buses can be implemented directly on the baseboard rather than on mechanically unwieldy expansion cards. The ability to build a system on a single baseboard using the computer as one plug-in component simplifies packaging, eliminates cabling, and significantly reduces system-level cost.

A single baseboard design can use a range of ETX modules. This flexibility can differentiate products at various price/performance points, or to design future proof systems that have a built-in upgrade path. The modularity of an ETX solution also ensures against obsolescence as computer technology evolves. A properly designed ETX baseboard can work with several successive generations of ETX modules.

An ETX baseboard design has many advantages of a custom, computer-board design but delivers better obsolescence protection, greatly reduced engineering effort, and faster time to market.

### 2.2.1. Schematic Drawing Notes

Some signal names in the schematics have a parenthesized number following the signal name — for example:

AUXAL (05)

This is an “off-page connector,” which means the signal is also connected in Figure 5.

Signal names used in tables and in the *ETX Specification* may differ slightly from those shown in schematics. These notational differences are not significant. They reflect the naming conventions used by the schematic capture program used to produce schematics.

## 3. CONNECTOR X1

### 3.1 Connector X1 Schematic

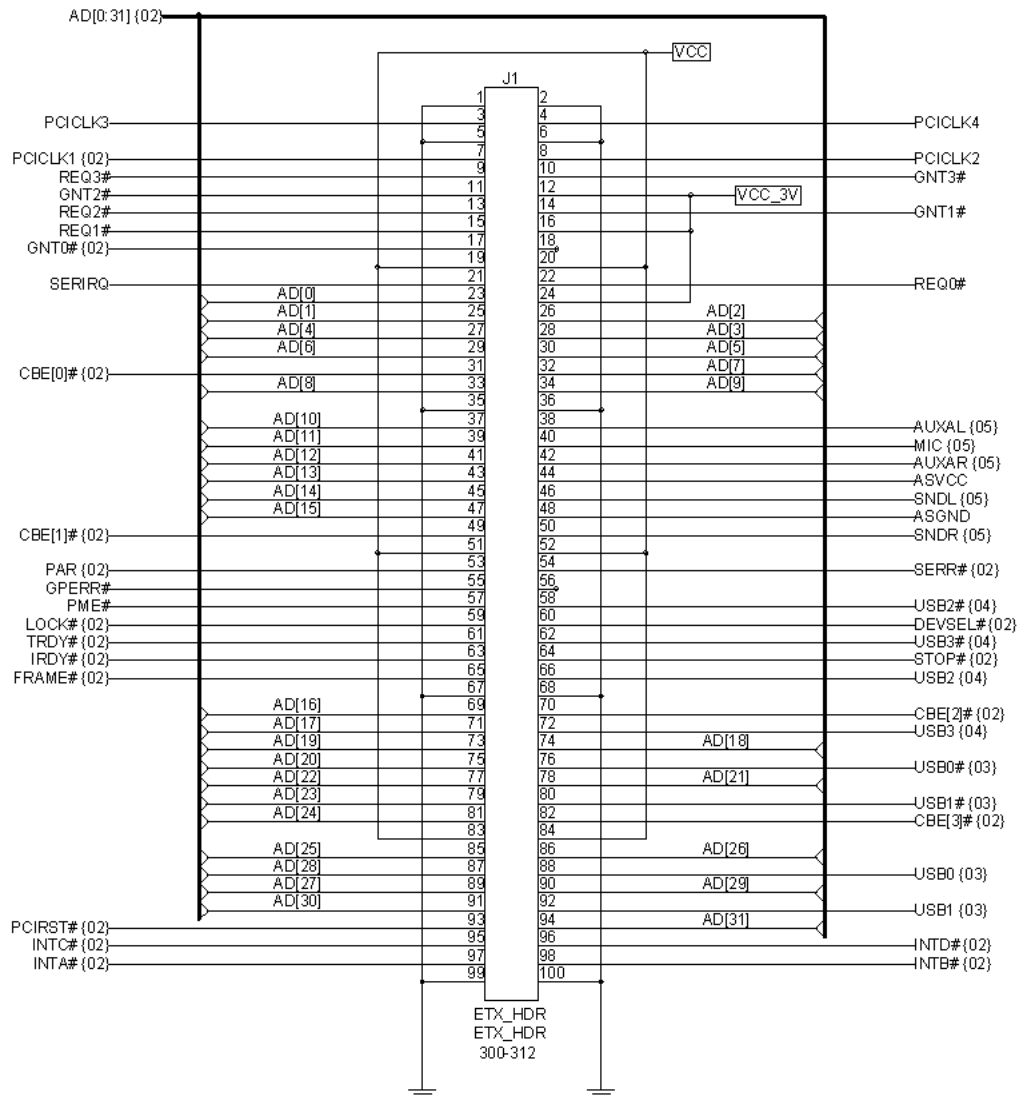


Figure 1 – ETX Connector X1 Schematic

### 3.2 ETX Connector X1 Pinout

Pin	Signal	Pin	Signal	Pin	Signal	Pin	Signal
1	GND	2	GND	51	VCC	52	VCC
3	PCICLK3	4	PCICLK4	53	PAR	54	SERR#
5	GND	6	GND	55	GPERR#	56	RESERVED
7	PCICLK1	8	PCICLK2	57	PME#	58	USB2#
9	REQ3#	10	GNT3#	59	LOCK#	60	DEVSEL#
11	GNT2#	12	3V	61	TRDY#	62	USB3#
13	REQ2#	14	GNT1#	63	IRDY#	64	STOP#
15	REQ1#	16	3V	65	FRAME#	66	USB2
17	GNT0#	18	RESERVED	67	GND	68	GND
19	VCC	20	VCC	69	AD16	70	CBE2#
21	SERIRQ	22	REQ0#	71	AD17	72	USB3
23	AD0	24	3V	73	AD19	74	AD18
25	AD1	26	AD2	75	AD20	76	USB0#
27	AD4	28	AD3	77	AD22	78	AD21
29	AD6	30	AD5	79	AD23	80	USB1#
31	CBE0#	32	AD7	81	AD24	82	CBE3#
33	AD8	34	AD9	83	VCC	84	VCC
35	GND	36	GND	85	AD25	86	AD26
37	AD10	38	AUXAL	87	AD28	88	USB0
39	AD11	40	MIC	89	AD27	90	AD29
41	AD12	42	AUXAR	91	AD30	92	USB1
43	AD13	44	ASVCC	93	PCIRST#	94	AD31
45	AD14	46	SNDL	95	INTC#	96	INTD#
47	AD15	48	ASGND	97	INTA#	98	INTB#
49	CBE1#	50	SNDR	99	GND	100	GND

Signal names in the table can differ slightly from those in the schematic. For example, AD[12] in the schematic is shown as AD12 in the pinout table and in the *ETX Specification*. These differences reflect the conventions used by the program used to produce the schematics.

### 3.3 Peripheral Component Interconnect (PCI) Bus

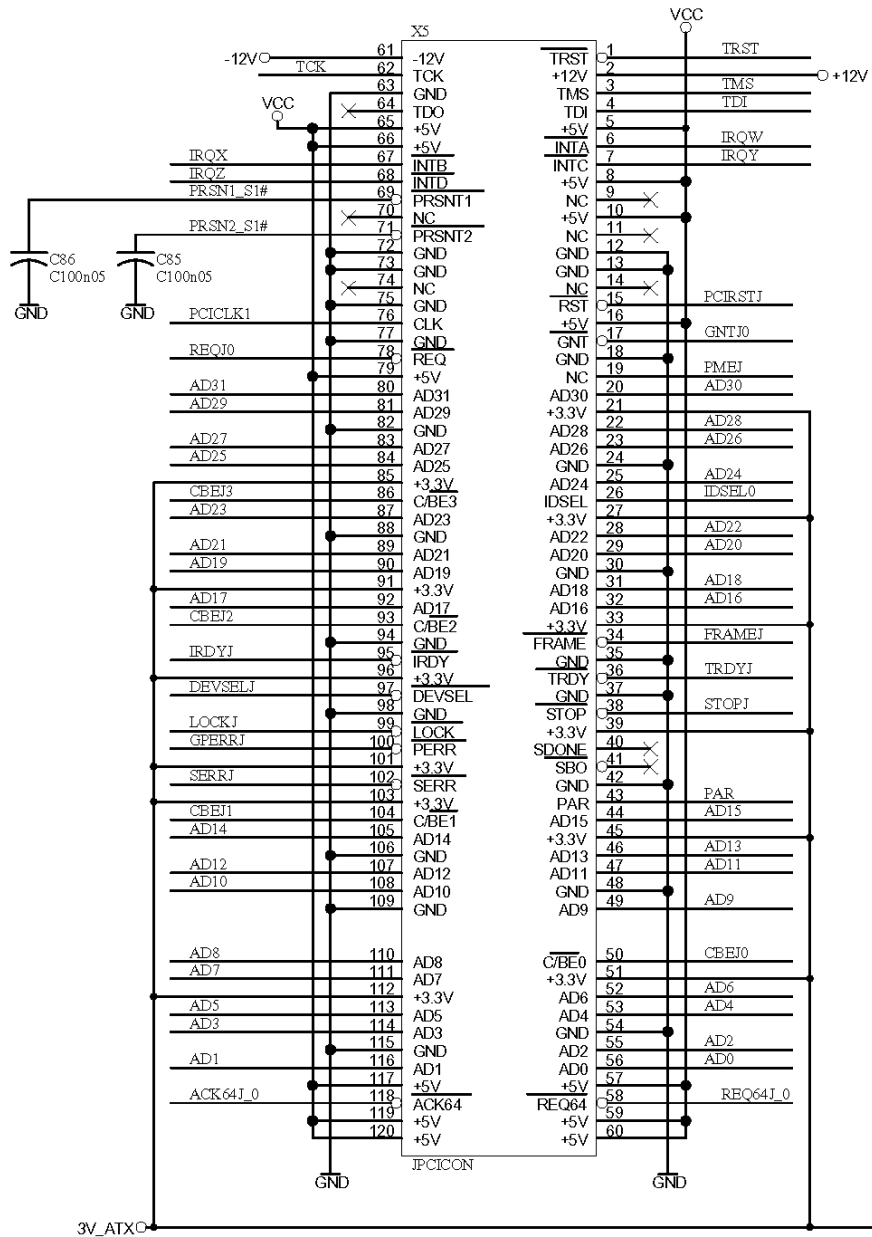


Figure 2 – PCI Bus Slot Connector – Slot 1

Figure 2 shows a single PCI bus slot connector. You can connect up four PCI slots or external PCI devices to an ETX module.

### 3.3.1. PCI Implementation Notes

- If a PC104-Plus connector is used, the same signals are attached to the connector but the pin numbers differ because of the different connector type. See the *PC/104 Bus Version 2.3, June 1996, PC/104 Consortium ([www.pc104.org](http://www.pc104.org))* for details.
- A PCI device implemented directly on the baseboard uses a subset of the signals shown on the slot connector. Some pins on the slot connector are used for slot and PCI card management functions and are not necessary for the operation of the PCI device itself. An individual PCI device will not have pins REQ64, ACK64, M66EN, PRSNT1, PRSNT2, SDONE, SBO#, or the reserved pins.
- Most devices do not implement the test pins TCK, TDO, TDI, TMS, and TRST.
- Most PCI devices use INTA# only and do not have a connection for INTB#, INTC# or INTD#. However, the INTA# pin of the device should not necessarily be connected to the ETX INTA# signal. See the following interrupt section for details.

### 3.3.2. Differences Among PCI Slots

Most PCI signals are connected in parallel to all the slots (or devices). The exceptions are the following pins from each slot or device:

- **IDSEL** – Connected (through resistor) to a different AD line for each slot.
- **CLK** – Connected to a different ETX PCI clock signal for each slot.
- **INTA#** - Connected to a different ETX interrupt signal for each slot.
- **REQ#** - Connected to a different ETX request signal for each slot, if used.
- **GNT#** - Connected to a different ETX grant signal for each slot, if used.

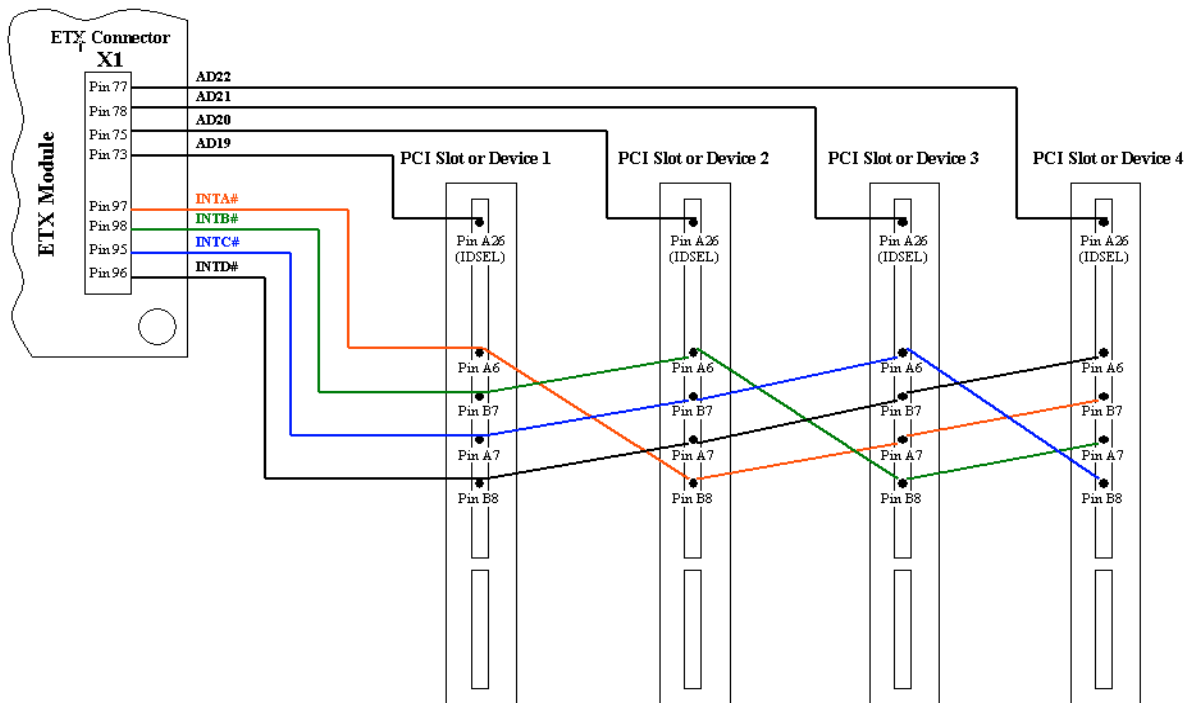
Each signal connects differently for each of the four possible slots or devices as summarized in the following PCI Slots/Devices table:

**Note:** The naming convention of the PCI interrupt signal and the interrupt pin on the PCI slot/device is the same. Pay attention to the routing of these signals. Check the example below for a better understanding.

Signal from ETX	PCI Slot or PCI Device 1	PCI Slot or PCI Device 2	PCI Slot or PCI Device 3	PCI Slot or PCI Device 4
Signal <b>AD19</b> (X1 Pin 73)	Pin Name <b>IDSEL</b> (Pin A26 on PCI Slot)	-	-	-
Signal <b>AD20</b> (X1 Pin 75)	-	Pin Name <b>IDSEL</b> (Pin A26 on PCI Slot)	-	-
Signal <b>AD21</b> (X1 Pin 78)	-	-	Pin Name <b>IDSEL</b> (Pin A26 on PCI Slot)	-
Signal <b>AD22</b> (X1 Pin 77)	-	-	-	Pin Name <b>IDSEL</b> (Pin A26 on PCI Slot)
Signal <b>INTA#</b> (X1 Pin 97)	Pin Name <b>INTA#</b> (Pin A6 on PCI Slot)	Pin Name <b>INTD#</b> * (Pin B8 on PCI Slot)	Pin Name <b>INTC#</b> * (Pin A7 on PCI Slot)	Pin Name <b>INTB#</b> * (Pin B7 on PCI Slot)
Signal <b>INTB#</b> (X1 Pin 98)	Pin Name <b>INTB#</b> * (Pin B7 on PCI Slot)	Pin Name <b>INTA#</b> (Pin A6 on PCI Slot)	Pin Name <b>INTD#</b> * (Pin B8 on PCI Slot)	Pin Name <b>INTC#</b> * (Pin A7 on PCI Slot)
Signal <b>INTC#</b> (X1 Pin 95)	Pin Name <b>INTC#</b> * (Pin A7 on PCI Slot)	Pin Name <b>INTB#</b> * (Pin B7 on PCI Slot)	Pin Name <b>INTA#</b> (Pin A6 on PCI Slot)	Pin Name <b>INTD#</b> * (Pin B8 on PCI Slot)
Signal <b>INTD#</b> (X1 Pin 96)	Pin Name <b>INTD#</b> * (Pin B8 on PCI Slot)	Pin Name <b>INTC#</b> * (Pin A7 on PCI Slot)	Pin Name <b>INTB#</b> * (Pin B7 on PCI Slot)	Pin Name <b>INTA#</b> (Pin A6 on PCI Slot)

**Note:** \*Multifunction PCI devices require that this pin be connected.

**Example: Using 4 PCI Slots on the Backplane**



**IDSEL**

- Connect each slot or device IDSEL pin to an appropriate AD line via a 22-Ohm resistor.

**PCICLK**

- The trace length for all PCI clocks should be matched and controlled. PCI clock routes should be separated as far from other signal traces as possible.
- PCI clock signals should be routed as controlled-impedance traces, with trace impedance in the 60-70 Ohm range.
- Only one PCI device or slot should be driven from each ETX PCI clock output.
- The PCICLK signal that comes from the ETX module is timed for an external trace delay of 1300pS from the ETX output pin to the PCI device's clock pin.
- The trace length from the ETX clock pin to a PCI device on the baseboard should be about 8.7 inches (if a typical figure for baseboard PCB propagation delay of 150pS per inch is used). If a more accurate value is available for PCB propagation delay, it should be used in place of the 150pS/inch rule-of-thumb to calculate clock-trace lengths.
- The clock trace from the ETX module pin to a slot connector clock pin should be about 2.5 inches shorter than the length to a device pin because PCI cards are specified to have 2.5 inches of onboard clock trace length from the connector pin to the device clock pin.
- PC104-Plus implementations also assume 2.5 inches of trace length on each module. In addition, further shorten clock routes for specific slot positions to account for varying stack positions of the PC104-Plus modules. See the *PC104-Plus Specification* for details.

**INT**

- Most PCI devices implement only one interrupt, which is output on the INTA# pin. This should be connected to the INT inputs on the ETX module as per the table. For multifunction devices, connect the additional interrupt outputs as per the table.
- PCI card slots or PC104-Plus implementations must have all four interrupt lines connected to each slot as per the table. Note that the interrupt wiring rotates for different slot positions.
- PCI specifications require that PCI devices be capable of interrupt sharing. Interrupts are typically shared in PCI systems that have more than four interrupt-generating devices. The purpose of the assignment scheme shown in the table is to distribute the devices as evenly as possible over the four PCI interrupt lines.

**REQ/GNT**

- These signals are used only by bus-mastering PCI devices. Most ETX modules do not have enough REQ/GNT pairs available to support a bus-mastering device at every slot position. Refer to the individual ETX user's guide for details.

- ▶ If there are less than four REQ/GNT pairs available for external devices, they will be assigned starting with the REQ0#/GNT0# pair. Therefore, external bus-mastering devices should be placed in the lowest numbered slot positions and non-bus mastering devices should be placed in the highest-numbered slot positions.



## 3.4 Universal Serial Bus (USB)

### 3.4.1. USB Port 0 and 1

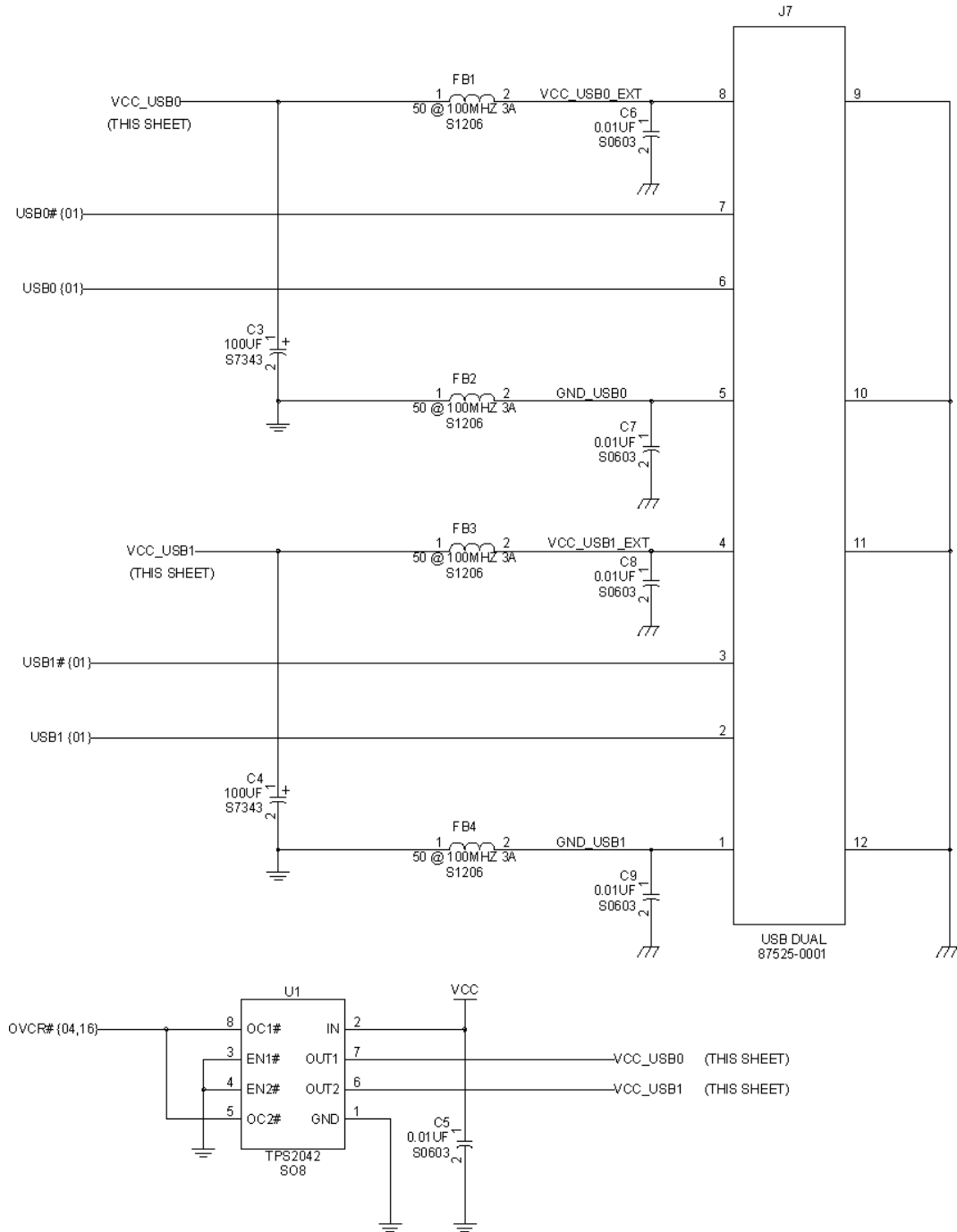


Figure 3 – USB Port 0 & 1

The TPS2042 chip shown provides overcurrent protection for each USB port. Either or both of the OC# outputs may be connected as desired so that software running on the ETX module can sense an overcurrent condition on one or both USB ports.

### 3.4.2. USB Ports 2 and 3

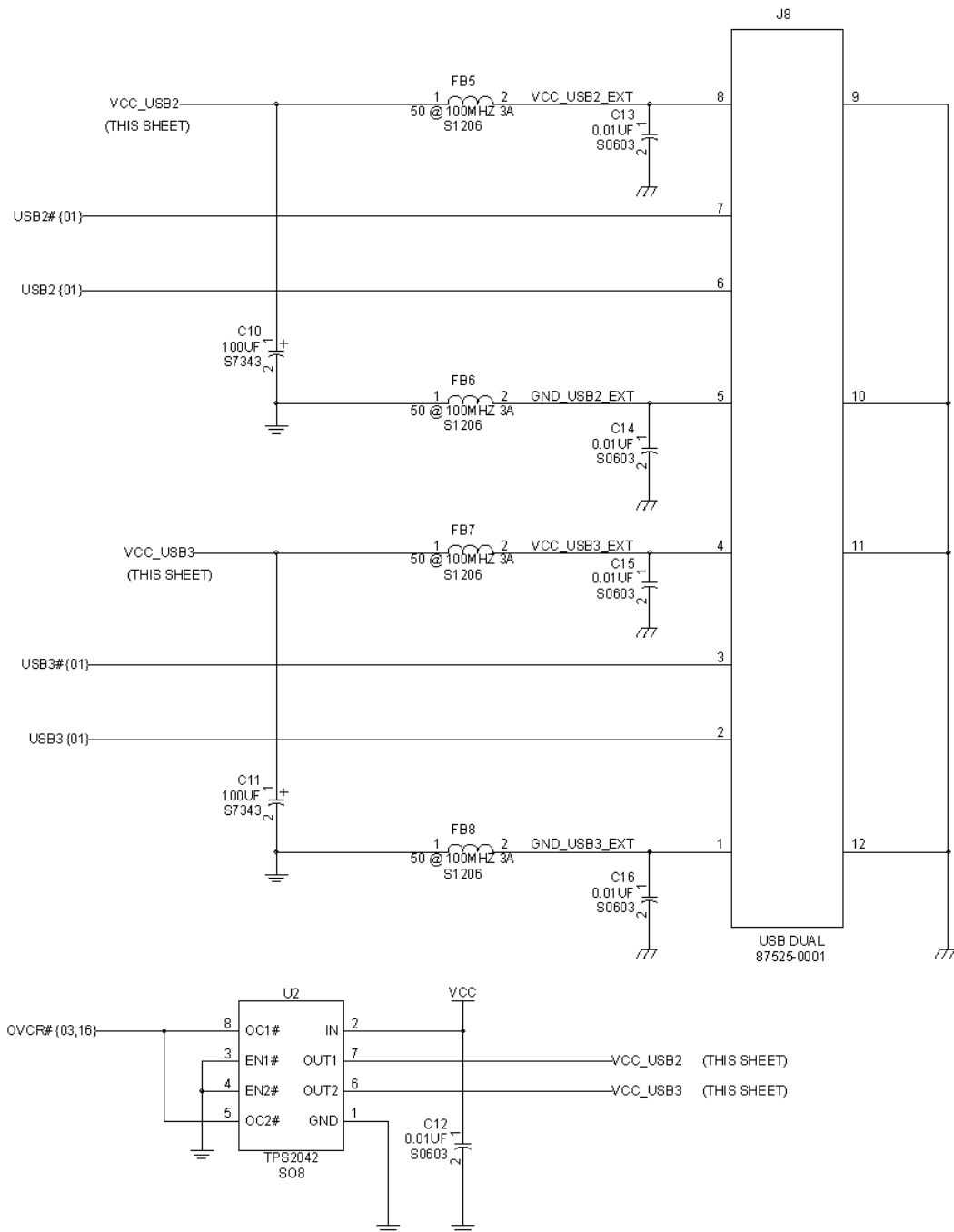


Figure 4 – USB Port 2 & 3

The TPS2042 chip provides overcurrent protection for each USB port. You can connect either or both OC# outputs so that software running on the ETX module can sense an overcurrent condition on one or both USB ports.

### 3.4.3. USB Implementation Notes

- The USB data pairs (USB0 and US0#) should be routed on the baseboard as differential pairs, with a differential impedance of 90 Ohms. PCB layout software usually allows determining the correct trace width and spacing to achieve this impedance, after the PCB stackup configuration is known.
- As per usual differential pair routing practices, the two traces of each USB pair should be matched in length and kept at uniform spacing. Sharp corners should be avoided. At the ETX module and connector ends of the routes, loop areas should be minimized.
- USB data pairs should be routed as far from other signals as possible.
- Overcurrent protection on external USB power lines is required to prevent faults in external USB devices or cables from causing hardware damage and/or crashing the system. Note that overcurrent protection devices typically allow relatively high currents to flow for brief periods before the current is limited or interrupted. The system power supply must be able to provide these high currents while maintaining output regulation, or else the ETX module or other system components may malfunction.
- You can “hot plug” USB devices. In fact, this is one of the virtues of USB relative to most other PC interfaces. The design of the USB power-decoupling network must absorb the momentary current surge from hot-plugging an unpowered device. This is the reason for the large capacitance values of C10 and C11 in the reference schematic. Reducing these values is not recommended.
- Some USB designs will need additional ESD or EMI suppression components on the USB data lines. These are most effective when they are placed near the external USB connector and grounded to a low-impedance ground plane.
- ETX modules vary in the number of USB ports that are implemented. Two ports are typical. Some ETX modules implement three or four ports. If the application needs more than two USB ports, a low-cost USB hub IC can be integrated onto the baseboard and connected to the USB0 or USB1 ports on the ETX module. This provides a larger number of USB ports regardless of which ETX module is in use.

### 3.5 Audio Circuits

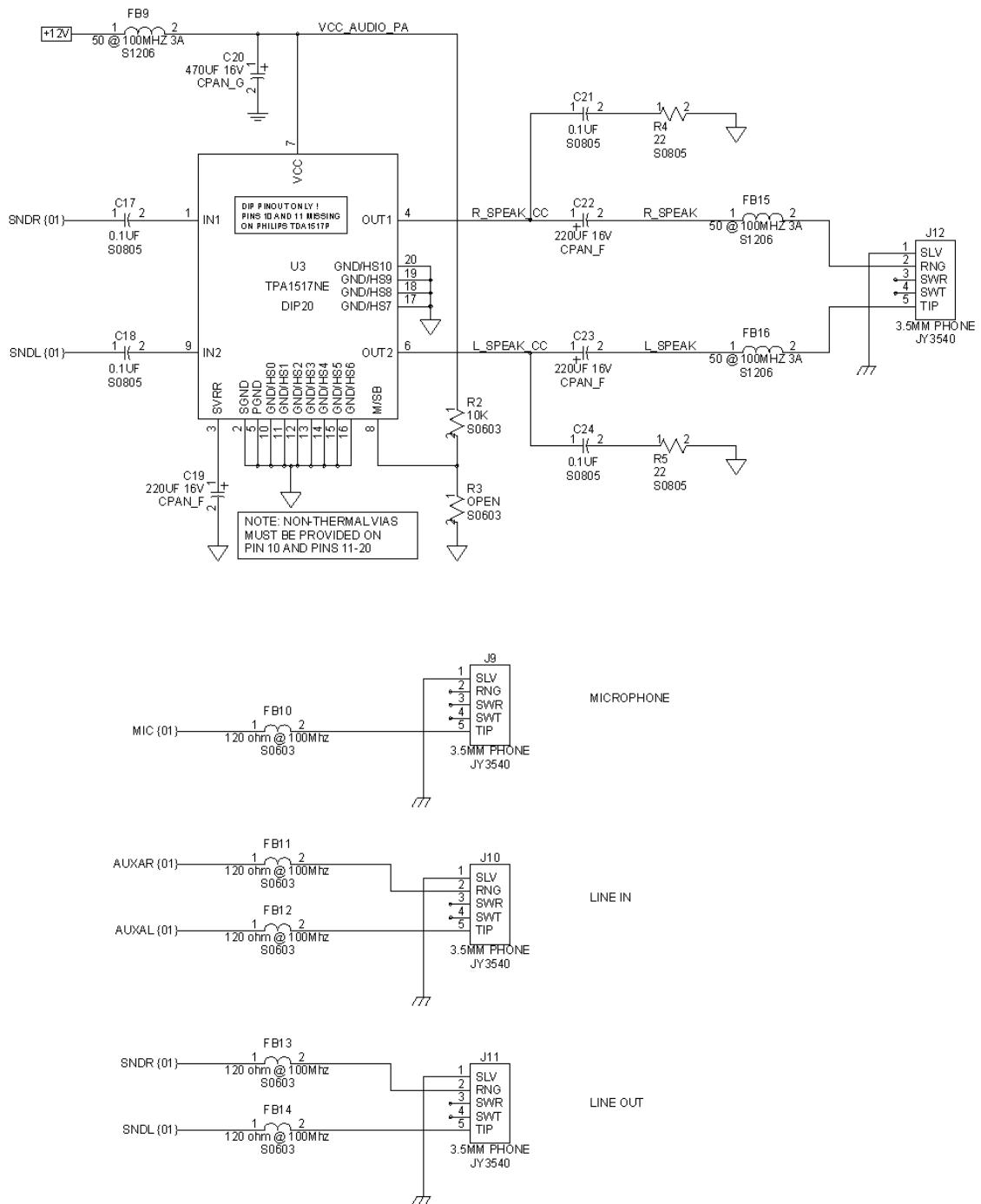


Figure 5 – Audio Circuits

The top section of Figure 5 shows one possible audio amplifier circuit for use with an ETX module. This circuit uses a low-cost DIP amplifier made by Texas Instruments and Philips. This circuit requires a 12-volt supply.

Many other audio amplifier ICs exist. Some circuits can operate from lower supply voltages and/or do not require output capacitors. Representative manufacturers of such amplifiers are National Semiconductor and Texas Instruments.

The lower section of Figure 5 shows ETX connections that implement microphone, line in, and line out functions using standard 3.5mm phone jacks.

### 3.5.1. Audio Implementation Notes

- ▶ All audio circuits require careful PCB layout and grounding to avoid picking up digital noise on audio-signal lines. The X1 connector has an audio ground pin (ASGND, pin 48) that should be connected to an analog ground plane underneath the audio amplifier circuits or the audio input/output jacks. This plane should be isolated from the ground plane that is used for digital circuitry. Rout audio signals over the analog ground plane wherever possible and keep them as far away as possible from digital signals.
- ▶ The AUX (line in) and SND (line out) signals are AC-coupled and have a maximum signal level of approximately 1V P-P. The line outputs are capable of driving a 5K Ohm load. Audio sources connected to line inputs should also be capable of driving a 5K Ohm load.
- ▶ The MIC (microphone input) is intended for a monaural electret microphone. In addition to the audio signal, this input carries a DC voltage of approximately 2.5V, which is sourced from 5K Ohm effective impedance. Many microphones use this DC voltage as a power source.
- ▶ Some ETX modules provide an option for selecting additional preamplifier gain on the microphone input, while others provide only a single microphone gain setting. Designers should consider this in designing baseboards for microphone applications that are intended to work with different ETX modules.
- ▶ For applications that require a stereo microphone or higher quality microphone audio, an external microphone preamplifier should be implemented on the baseboard and connected to the AUXAL/AUXAR inputs.
- ▶ If the AUXAL/AUXAR inputs are connected to the audio output from a CD-ROM drive, shielded cables should be used. The audio grounds from the CD-ROM audio cable should be connected to ASGND rather than to digital ground to minimize noise.

# 4. CONNECTOR X2

## 4.1 ETX Connector X2 Schematic

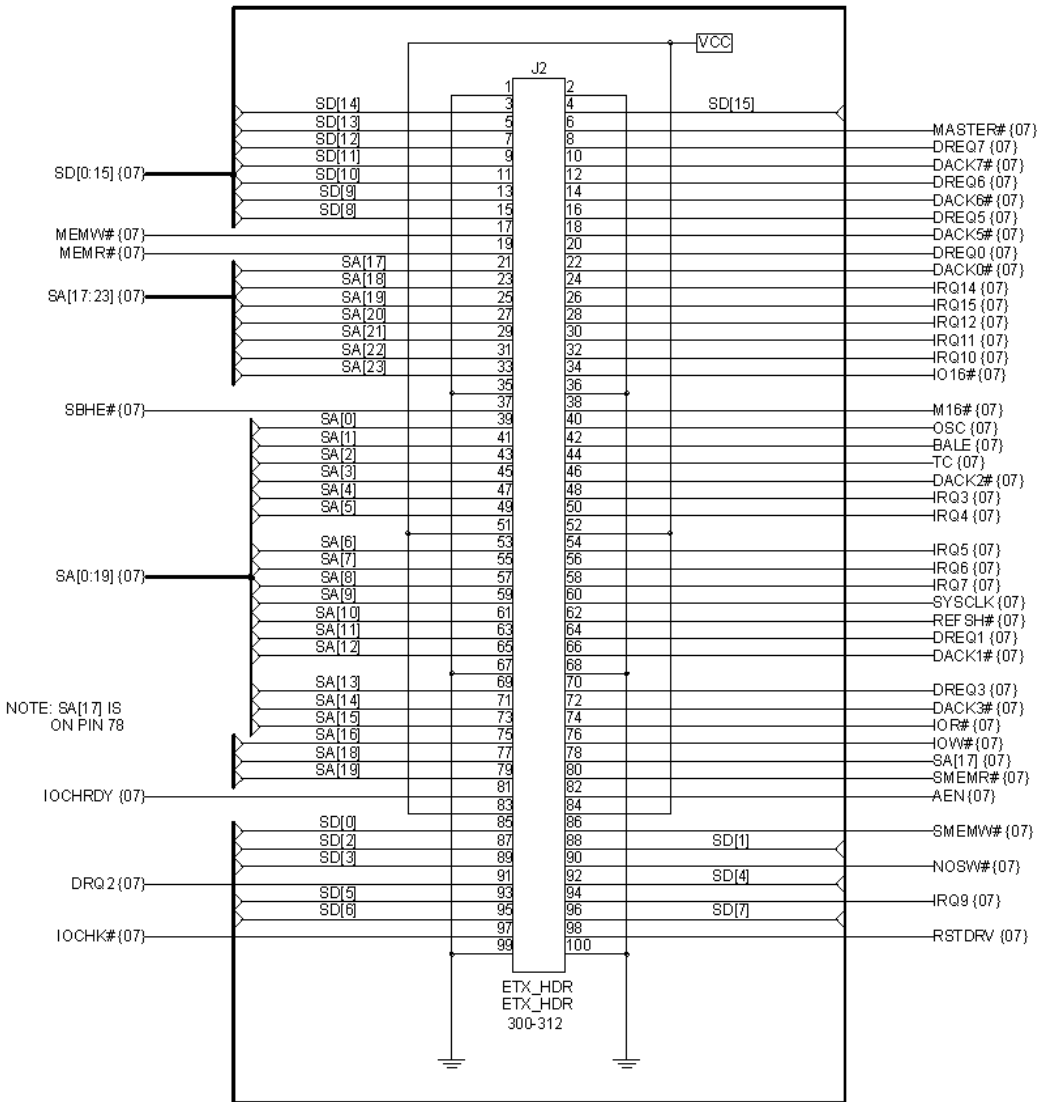


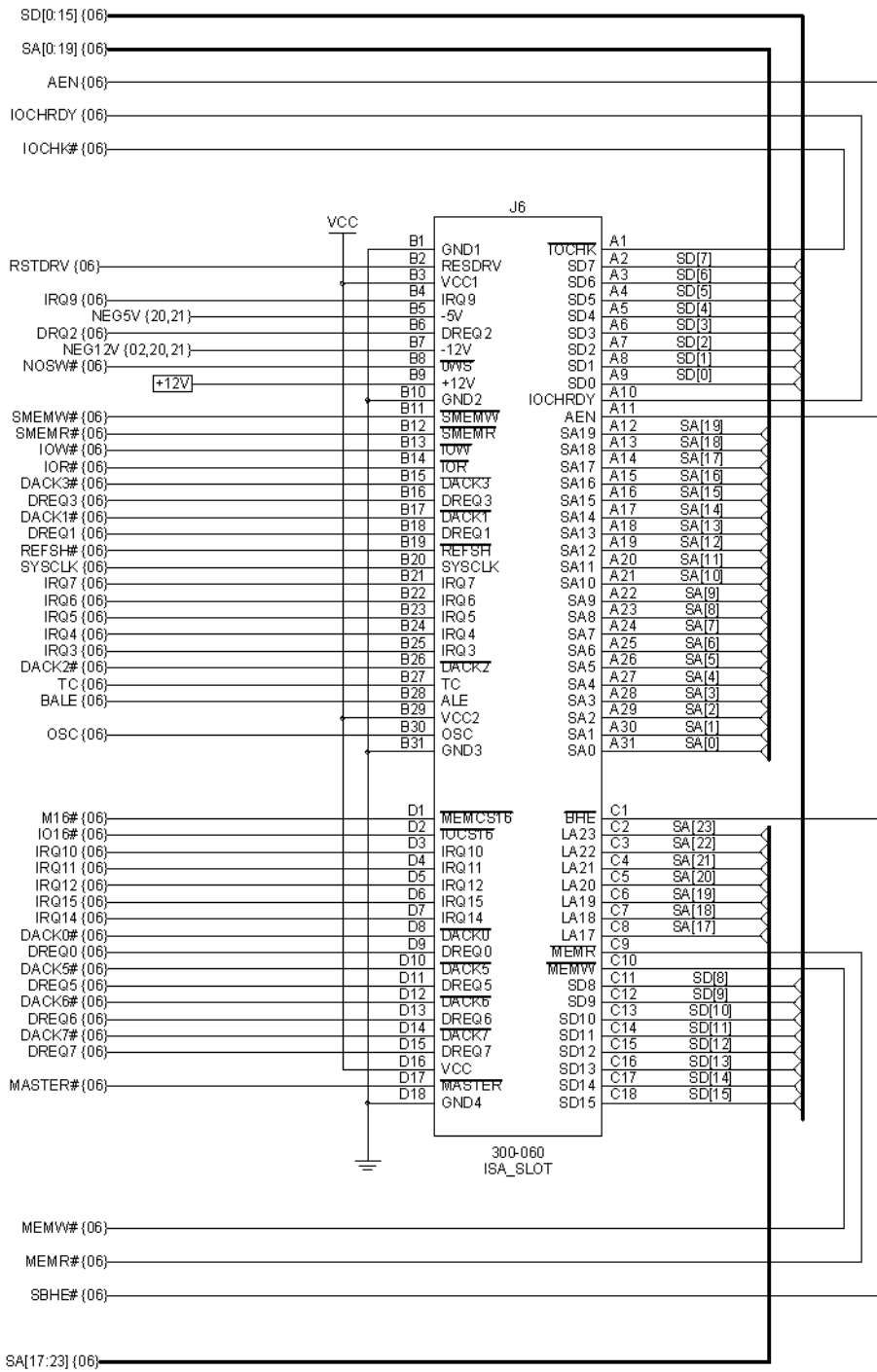
Figure 6 – ETX Connector X2 Schematic

## 4.2 ETX Connector X2 Pinout

Pin	Signal	Pin	Signal	Pin	Signal	Pin	Signal
1	GND	2	GND	51	VCC	52	VCC
3	SD14	4	SD15	53	SA6	54	IRQ5
5	SD13	6	MASTER#	55	SA7	56	IRQ6
7	SD12	8	DREQ7	57	SA8	58	IRQ7
9	SD11	10	DACK7#	59	SA9	60	SYSCLK
11	SD10	12	DREQ6	61	SA10	62	REFSH#
13	SD9	14	DACK6#	63	SA11	64	DREQ1
15	SD8	16	DREQ5	65	SA12	66	DACK1#
17	MEMW#	18	DACK5#	67	GND	68	GND
19	MEMR#	20	DREQ0	69	SA13	70	DREQ3
21	LA17	22	DACK0#	71	SA14	72	DACK3#
23	LA18	24	IRQ14	73	SA15	74	IOR#
25	LA19	26	IRQ15	75	SA16	76	IOW#
27	LA20	28	IRQ12	77	SA18	78	SA17
29	LA21	30	IRQ11	79	SA19	80	SMEMR#
31	LA22	32	IRQ10	81	IOCHRDY	82	AEN
33	LA23	34	IO16#	83	VCC	84	VCC
35	GND	36	GND	85	SD0	86	SMEMW#
37	SBHE#	38	M16#	87	SD2	88	SD1
39	SA0	40	OSC	89	SD3	90	NOWS#
41	SA1	42	BALE	91	DREQ2	92	SD4
43	SA2	44	TC	93	SD5	94	IRQ9
45	SA3	46	DACK2#	95	SD6	96	SD7
47	SA4	48	IRQ3	97	IOCHK#	98	RSTDRV
49	SA5	50	IRQ4	99	GND	100	GND

Signal names in the table can differ slightly from those in the schematic. For example, SD[12] in the schematic is shown as SD12 in the pinout table and in the *ETX Specification*. These differences reflect the conventions used by the program used to produce these schematics.

### 4.3 Industry Standard Architecture (ISA) Bus Slot



VERIFY THAT SA[17:19] SHOULD BE MAPPED TO DUPLICATE PINS

Figure 7 – 16-Bit ISA Bus Slot Connector



Figure 7 shows a 16-bit ISA bus connector. Additional ISA bus devices or connectors can be wired in parallel with the connector shown.

#### 4.3.1. ISA Implementation Notes

- ▶ The wiring of PC104 connectors is very similar to the wiring of this slot connector, but the pin-numbering scheme is slightly different because PC104 uses a pin-and-socket connector rather than a card-edge connector. See the PC104 specification for details.
- ▶ Eight-bit ISA devices will not need the signals on the lower part of the connector (the C and D pin numbers), but the additional interrupts and DMA channels available on this part of the connector will make system configuration more flexible.
- ▶ Many ISA devices already contain a plug-and-play matrix that allows routing internal interrupt or DMA requests to most of the possible destinations on the ISA bus. For simpler devices, which do not implement internal interrupt and DMA routing, it is often worthwhile to provide jumper blocks or resistor options. These mechanical switching arrangements allow changing the device's interrupt and DMA assignments in case a resource conflict arises later in the development of the system.
- ▶ ISA devices generally are not able to share interrupts. Because of this, ISA device drivers are rarely written with interrupt sharing in mind. Systems with many ISA devices tend to run out of interrupt lines. Solving this problem can require specialized software and hardware.

#### ISA vs. Other Buses

Personal computer manufacturers are eliminating the ISA bus from new products. Although this action will not have an immediate impact on embedded applications, there is a clear trend to migrate ISA bus functions to the PCI bus or to other interfaces such as USB.

These newer interfaces are more efficient than the ISA bus and easier for operating systems to manage. They also have fewer resource limitations. Designers should consider PCI and USB as alternatives to new ISA bus implementations, or as an eventual upgrade path from ISA designs.

# 5. CONNECTOR X3

## 5.1 ETX Connector X3 Schematic

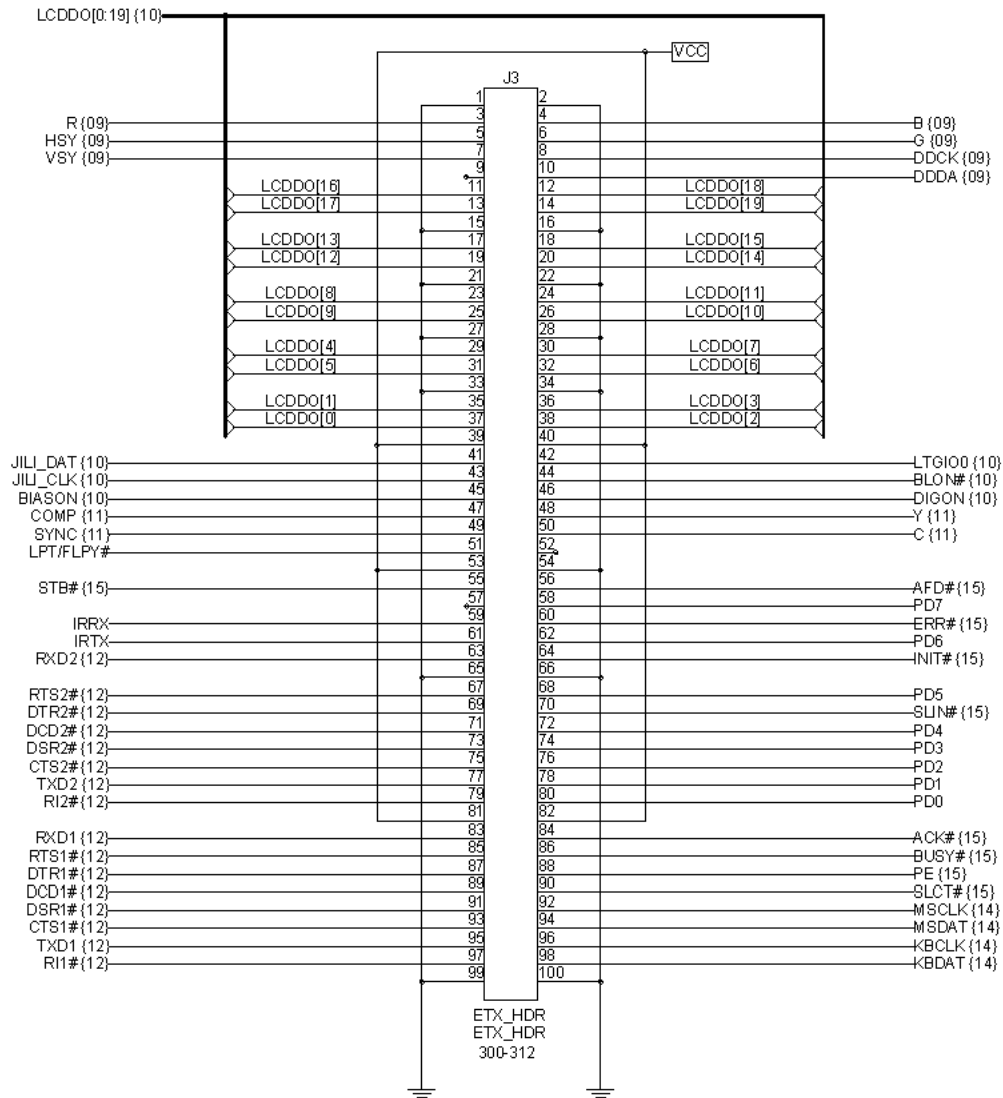


Figure 8 – ETX Connector X3 Schematic

## 5.2 ETX Connector X3 Pinout

ETX modules can implement either an LVDS flat-panel interface or a parallel digital flat-panel interface. Alternative pinouts for the two interfaces are shown in the tables below. The left table shows the standard functions of the pins that support an LVDS flat-panel interface. The right table shows the alternate function pinout to support a parallel interface to the display.

The parallel flat-panel interface is not a standard ETX feature. Refer to the individual ETX user's guide to determine if this flat-panel interface is available.

LVDS Interface Pinout				Digital Interface Pinout			
Pin	Signal	Pin	Signal	Pin	Signal	Pin	Signal
1	GND	2	GND	1	GND	2	GND
3	R	4	B	3	R	4	B
5	HSY	6	G	5	HSY	6	G
7	VSY	8	DDCK	7	VSY	8	DDCK
9	DETECT#	10	DDDA	9	DETECT#	10	DDDA
11	LCDDO16	12	LCDDO18	11	B4	12	SHFCLK
13	LCDDO17	14	LCDDO19	13	B5	14	EN
15	GND	16	GND	15	GND	16	GND
17	LCDDO13	18	LCDDO15	17	B1	18	B3
19	LCDDO12	20	LCDDO14	19	B0	20	B2
21	GND	22	GND	21	GND	22	GND
23	LCDDO8	24	LCDDO11	23	G2	24	G5
25	LCDDO9	26	LCDDO10	25	G3	26	G4
27	GND	28	GND	27	GND	28	GND
29	LCDDO4	30	LCDDO7	29	R4	30	G1
31	LCDDO5	32	LCDDO6	31	R5	32	G0
33	GND	34	GND	33	GND	34	GND
35	LCDDO1	36	LCDDO3	35	R1	36	R3
37	LCDDO0	38	LCDDO2	37	R0	38	R2
39	VCC	40	VCC	39	VCC	40	VCC
41	JILI_DAT	42	LTGIO0	41	JILI_DAT	42	VSYNC
43	JILI_CLK	44	BLON#	43	JILI_CLK	44	BLON#
45	BIASON	46	DIGON	45	HSYNC	46	DIGON
47	COMP	48	Y	47	COMP	48	Y
49	SYNC	50	C	49	SYNC	50	C

Pin functions for the shaded pins differ between the two types of flat-panel interfaces. The unshaded pins have identical functions regardless of the interface type.

Signal names in these tables can differ slightly from those in the schematic. For example, LCDDO[16] in the schematic is shown as LCDDO16 in the pinout table and in the *ETX Specification*. The differences reflect the conventions used by the schematic capture program used to produce these schematics

You can configure ETX parallel-port interfaces either as a conventional PC parallel port or as an interface to a floppy disk drive. Alternative pinouts for the two interfaces are shown in the tables below. The left table shows the standard functions of the pins that support a conventional PC parallel port. The right table shows the alternate function pinout that supports the floppy disk drive interface.

Parallel Port Mode Pinout				Floppy Support Mode Pinout			
Pin	Signal	Pin	Signal	Pin	Signal	Pin	Signal
51	LPT/FLPY#	52	RESERVE D	51	LPT/FLPY#	52	RESERVED
53	VCC	54	GND	53	VCC	54	GND
55	STB#	56	AFD#	55	RESERVED	56	DENSEL
57	RESERVED	58	PD7	57	RESERVED	58	RESERVED
59	IRRX	60	ERR#	59	IRRX	60	HDSEL#
61	IRTX	62	PD6	61	IRTX	62	RESERVED
63	RXD2	64	INIT#	63	RXD2	64	DIR#
65	GND	66	GND	65	GND	66	GND
67	RTS2#	68	PD5	67	RTS2#	68	RESERVED
69	DTR2#	70	SLIN#	69	DTR2#	70	STEP#
71	DCD2#	72	PD4	71	DCD2#	72	DSKCHG#
73	DSR2#	74	PD3	73	DSR2#	74	RDATA#
75	CTS2#	76	PD2	75	CTS2#	76	WP#
77	TXD2	78	PD1	77	TXD2	78	TRK0#
79	RI2#	80	PD0	79	RI2#	80	INDEX#
81	VCC	82	VCC	81	VCC	82	VCC
83	RXD1	84	ACK#	83	RXD1	84	DRV
85	RTS1#	86	BUSY	85	RTS1#	86	MOT
87	DTR1#	88	PE	87	DTR1#	88	WDATA#
89	DCD1#	90	SLCT#	89	DCD1#	90	WGATE#
91	DSR1#	92	MSCLK	91	DSR1#	92	MSCLK
93	CTS1#	94	MSDAT	93	CTS1#	94	MSDAT
95	TXD1	96	KBCLK	95	TXD1	96	KBCLK
97	RI1#	98	KBDAT	97	RI1#	98	KBDAT
99	GND	100	GND	99	GND	100	GND

Pin functions for the shaded pins differ between the parallel port and floppy modes. The unshaded pins have identical functions regardless of the interface type.

You can select the operating mode by from the BIOS settings or by the hardware mode select pin, X3-51. If pin X3-51 (LPT/FLPY#) is grounded at boot time, the floppy support mode is selected. If this pin is left floating or is held high, parallel port mode is selected.

Mode selection is determined at boot time. It cannot be changed until the next boot cycle.

### 5.3 Analog Video (VGA) Output

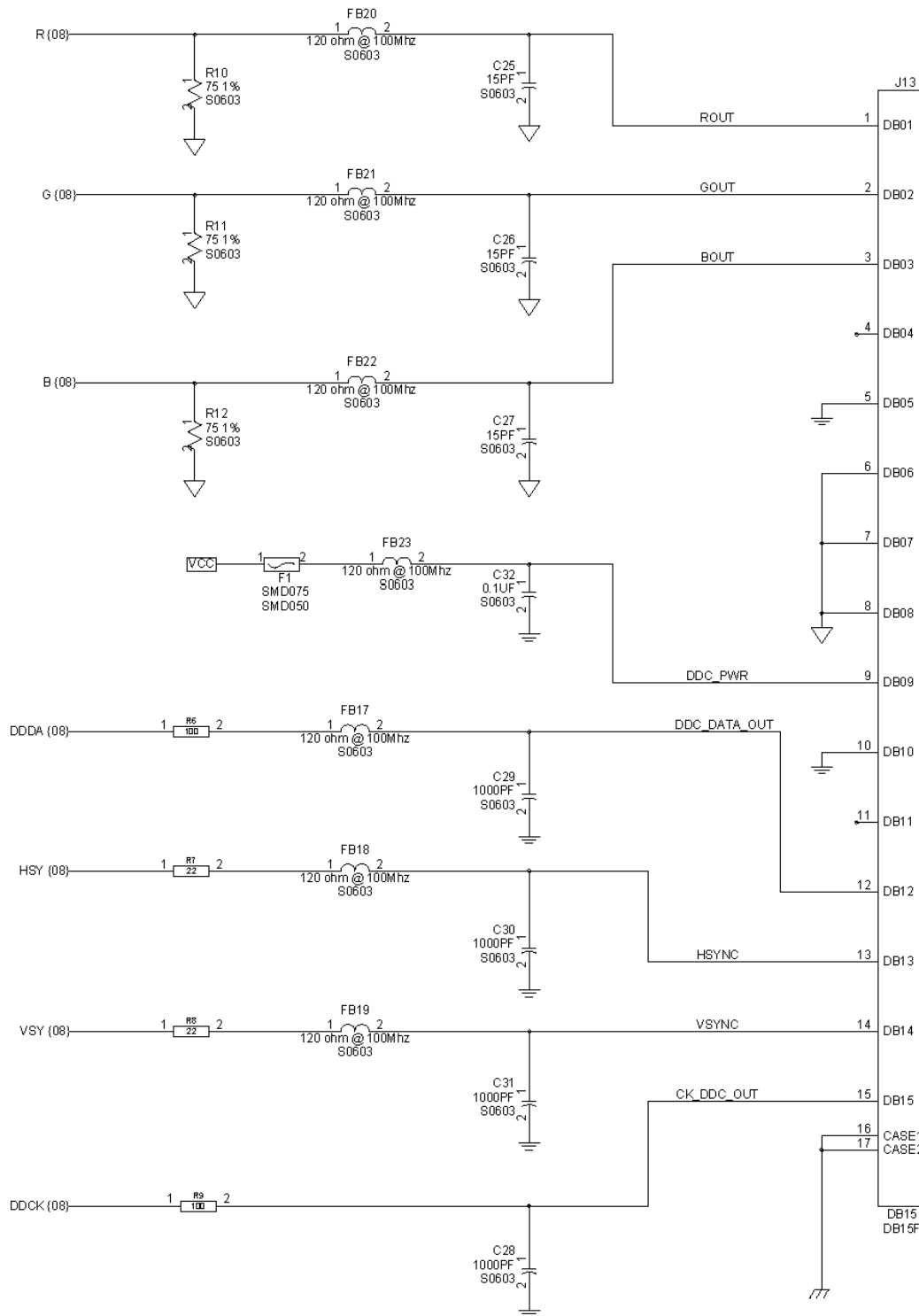


Figure 9 – VGA Output Connector and Circuitry

Figure 9 shows analog video (VGA) output using a standard high-density DB-15 connector.

### 5.3.1. VGA Implementation Notes

- VESA standards require the DDC\_PWR line. However, it is frequently not needed in embedded applications that use an internal VGA monitor because the monitor does not support the DDC standard. In this case, the associated parts can be omitted.
- Embedded designs also cannot use the DDCK or DDDA lines, which are used for “plug and play,” monitor-type detection when standard monitors are attached.

## 5.4 Flat Panel LVDS Interface / JILI Standard

Low Voltage Differential Signaling (LVDS) flat-panel output is the standard interface method for connecting ETX modules to flat-panel displays.

### 5.4.1. LVDS Advantages

LVDS has several advantages over traditional parallel-display interfaces, including:

- LVDS is implemented in a similar way by many different graphics chip vendors. This makes the display interfaces for ETX modules very similar despite the fact that varying graphics controllers are used on different module designs. For relatively basic display interfaces, such as a single channel, 12- or 18-bit TFT panel, the LVDS interface will be identical on most ETX modules.
- LVDS drives long display cables with good performance and much lower EMI. Embedded applications often require display cables longer than is practical with direct parallel data interfaces. Parallel display cables also are frequently a major source of EMI qualification headaches because of a large number of wires that are driven at high frequencies.
- LVDS reduces the number of wires needed in display cables because each LVDS signal pair carries numerous panel signals. Because LVDS is a true differential system, large numbers of ground wires are not needed for signal integrity and EMI minimization. Connector costs and power consumption also are usually lower than with direct parallel wiring.

### 5.4.2. LVDS Routing and Wiring Considerations

Consider the following when routing LVDS signals on PC boards or sending LVDS signals over cables:

- The two signals in each LVDS pair (for example, Channel 1 TXOUT0# and Channel 1 TXOUT0) should be routed together as a differential pair, with a differential impedance of 100 Ohms. Most PCB layout software allows determining the correct trace width and spacing to achieve this impedance after the PCB stackup is known.

- Maintain as much separation as possible between the signal pair and other pairs or traces. In PCB routing, the length of both traces in the same pair should be matched as closely as possible. All LVDS pairs also should be matched in length in their route from the ETX module to a connector. This may require indirect routing of some pairs.
- It is highly recommended that LVDS cables be of twisted-pair construction to take maximum advantage of the differential signal transmission. In cables that use twisted pair wiring, the two signals in each LVDS differential pair must be assigned to the two wires in the same twisted pair.
- If flat-ribbon cables are used, the signals in each LVDS differential pair should be assigned to adjacent conductors in the cable. Pairs should be separated from other pairs by one or more ground lines. Flat cables are not recommended for long cable runs.
- The lengths of all LVDS pairs in a cable should be matched as closely as possible.
- Cable impedances in the 100-150 Ohm range are expected. For different cable impedance, it may be possible to adjust the LVDS terminating resistors on the receiver board in order to obtain optimum performance.

### 5.4.3. LVDS Variations

Although the LVDS interface is standardized for the most common panel types, ETX modules differ in their support for panels with dual channel or 24 bit interfaces and for STN (passive) panels. Refer to the individual ETX user's guide to determine which displays are supported. Differences that can occur are:

- Some of the 10 possible LVDS signal pairs are not implemented on some ETX modules. For example, a module that supports only single-channel, 12- or 18-bit TFT panels will use only four of the signal pairs.
- Different connector and cabling arrangements may be needed for each flat-panel model, even if they all use the same signals. Even similar displays from the same manufacturer may use different connectors, or use the same connector with different pinouts.
- Video BIOS changes may be needed when changing flat-panel models because different models may require different dot clock frequencies or different sync rates.

#### 5.4.4. JILI Flat Panel Interface Standard

Kontron has addressed the variations in flat-panel interface details by implementing a standardized LVDS flat-panel interface arrangement called JUMPtec Intelligent LVDS Interface (JILI). ETX customers are encouraged to use this arrangement for flat-panel interfaces.

The JILI interface consists of three components:

- A baseboard connector. This is a 40-pin, flat-foil connector. It is always wired in the same way, regardless of the flat-panel type.
- A 40-pin, flat-foil cable (essentially a single-sided flex circuit with 40 conductors), which connects the baseboard to the receiver board below. This cable carries power for the panel as well as the LVDS signals.
- A small receiver PCB that is designed for use with a specific flat panel and mounts on or near the flat-panel display. For a parallel-interface panel, this PCB contains an LVDS receiver chip.

The LVDS receiver board converts the incoming LVDS data to parallel form and outputs the data to the panel through a connector designed to match the panel pinout.

The receiver board also contains an onboard serial EEPROM programmed with the panel timing parameters. In operation, the video BIOS code in the ETX module reads the timing parameters from the EEPROM on the receiver board and sets the panel timing accordingly. This adapts the ETX module to a new panel type without reprogramming the video BIOS. It is possible to change flat-panel types by changing only the panel itself and its receiver board. The rest of the flat-panel interface remains unchanged.

Refer to the Kontron Embedded Modules' *JILI Specification* for further descriptions of the JILI interface and the pixel mapping for its various operating modes.



### 5.4.5. JILI Baseboard Connector Schematic

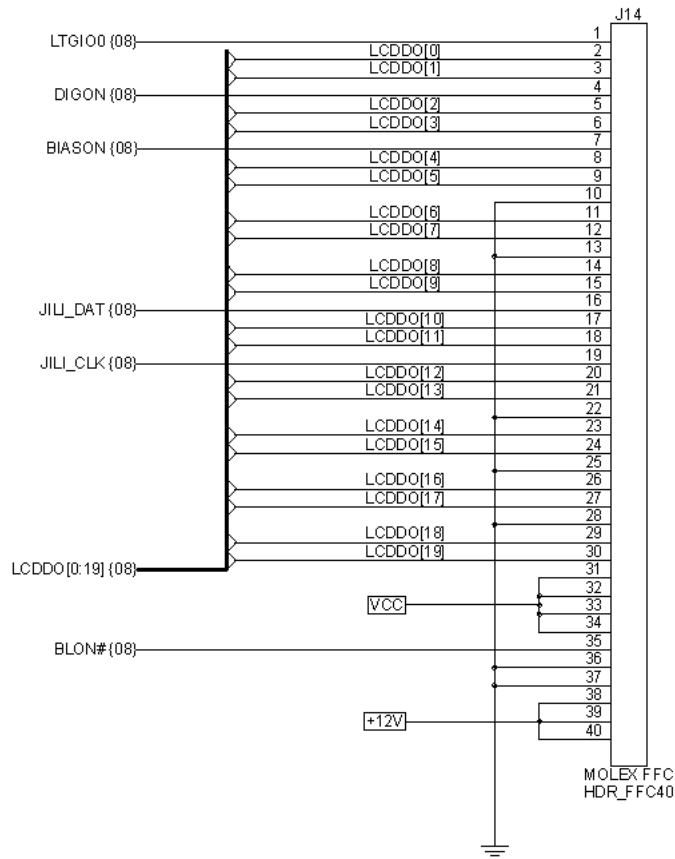


Figure 10 – JILI Connector for Flat Panel LVDS Interface

### 5.4.6. LVDS Signal Mapping on JILI Connector Pins

Pin Name	Channel/Signal
LCDDO[0]	Channel 1 TXOUT0#
LCDDO[1]	Channel 1 TXOUT0
LCDDO[2]	Channel 1 TXOUT1#
LCDDO[3]	Channel 1 TXOUT1
LCDDO[4]	Channel 1 TXOUT2#
LCDDO[5]	Channel 1 TXOUT2
LCDDO[6]	Channel 1 TXCLK#
LCDDO[7]	Channel 1 TXCLK
LCDDO[8]	Channel 1 TXOUT3#
LCDDO[9]	Channel 1 TXOUT3
LCDDO[10]	Channel 2 TXOUT0#
LCDDO[11]	Channel 2 TXOUT0
LCDDO[12]	Channel 2 TXOUT1#
LCDDO[13]	Channel 2 TXOUT1
LCDDO[14]	Channel 2 TXOUT2#
LCDDO[15]	Channel 2 TXOUT2
LCDDO[16]	Channel 2 TXCLK#
LCDDO[17]	Channel 2 TXCLK
LCDDO[18]	Channel 2 TXOUT3#
LCDDO[19]	Channel 2 TXOUT3

### 5.4.7. JILI Implementation Notes

- Kontron Embedded Modules offers receiver boards for common flat-panel types. It is relatively simple to design a receiver board for a new panel type because of the small size of the board and the small number of components involved. The simplicity of the receiver circuitry also allows receiver boards to be implemented in alternative form factors for optimum integration into a package design.
- When the application uses an LVDS panel, a LVDS receiver chip is not necessary. However, typically a transition board is mechanically necessary to route the signals from the connector on the LVDS panel to the different connector used for system display cabling. This PCB also can carry a serial EEPROM to implement the JILI automatic display configuration features.
- The JILI concept is useful even if the flat-foil connectors are not suitable for a particular application. The designer can choose any suitable LVDS connector and cabling arrangement, as long as the LVDS cable carries the standard set of JILI signals and the panel-specific parts of the interface are performed on the receiver board.

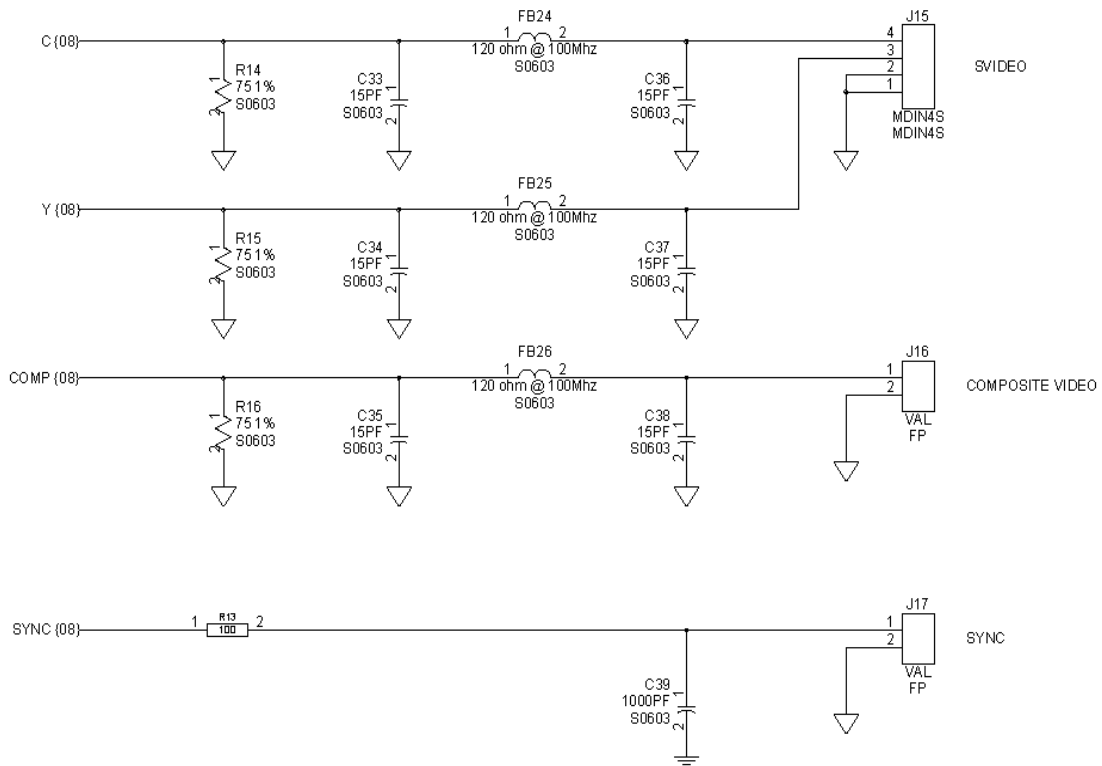
- ▶ To allow maximum flexibility for future panel upgrades, it is suggested that all the JILI signals be carried on the LVDS cable even if the current panel type does not require them. If an application is known to be restricted to a specific display interface class, such as a single-channel TFT, then some LVDS pairs may be omitted to save cable bulk and cost.

## 5.5 ***Flat Panel Digital (FPD) Interface / JIDI Standard***

A digital flat-panel interface called JUMPtec Intelligent Digital Interface (JIDI) is available on some ETX modules. This is an optional alternative to the LVDS interface. It uses the same ETX pins as the LVDS interface, but pin signals for a direct parallel interface to the flat panel.

- ▶ The implementation of the parallel flat-panel interface, if available, may differ for each ETX module. This is because of the different graphics controller technology used on each module. Refer to the individual ETX user's guide for details.
- ▶ If a parallel flat-panel interface is used, consider implementing the interface using the same connector and pinout used for JILI operation (shown in Figure 10), and a "receiver board" to connect the parallel signals on the flat foil cable to the display. This implementation provides an easy upgrade path to an ETX module with an LVDS interface.

## 5.6 Television (TV) Out



**Figure 11 – TV Out Connectors and Circuitry**

Television output circuitry, showing S-Video and composite video output connectors.

Television output features are not implemented on all ETX modules. The video format options and the quality of the output vary, depending upon the video controller chip used on the module. Refer to the individual ETX user's guide for details.

## 5.7 Serial Ports 1 and 2

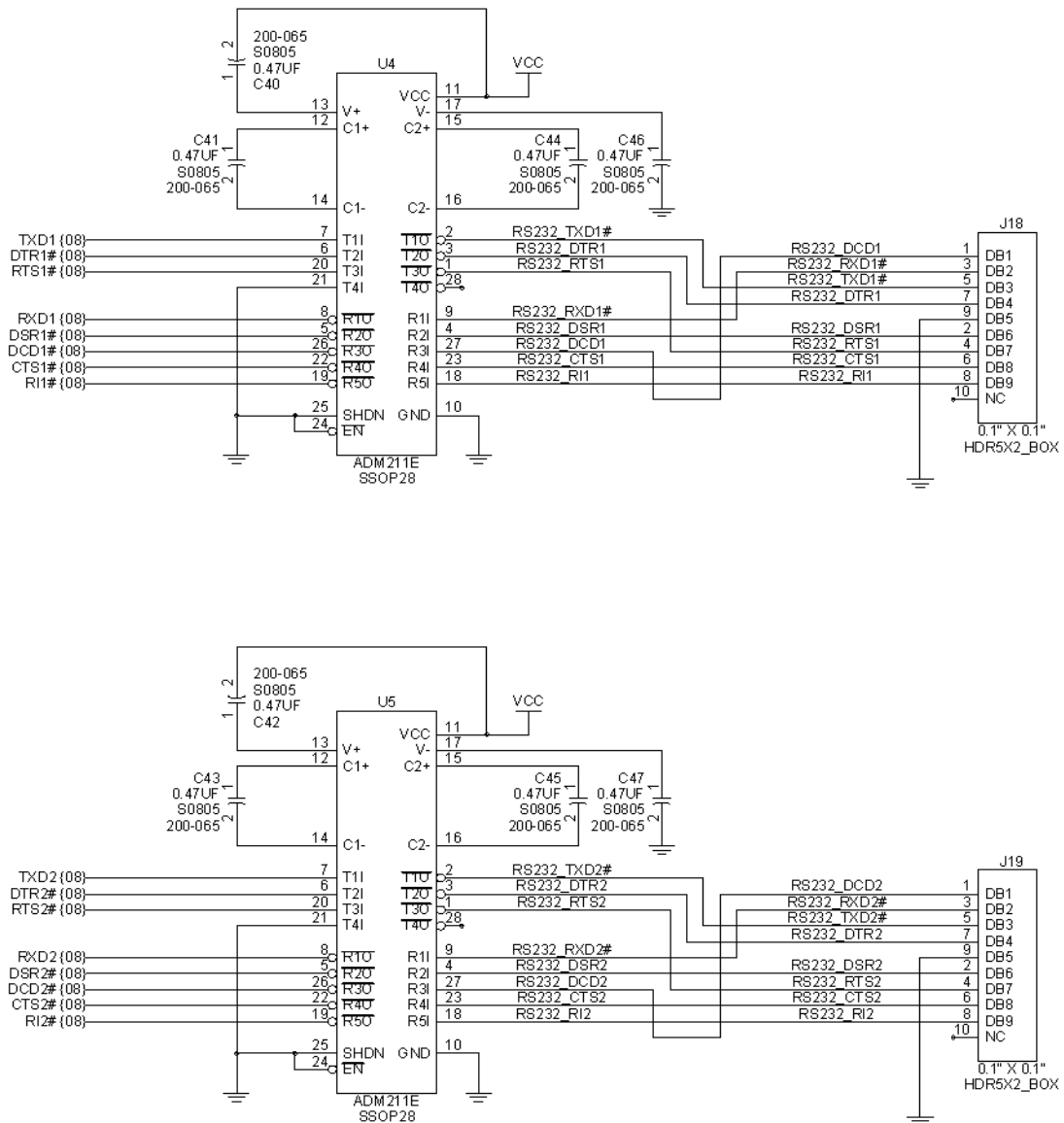


Figure 12 – RS232 Transceivers and Connectors for Serial Ports 1 and 2

Figure 12 shows one implementation of RS232 transceivers for Serial Ports 1 and 2. The pin numbers shown outside the header outlines are for flat-ribbon cable headers. The pin numbers inside the header outlines are the actual pin numbers on the DB9 serial-port connectors.

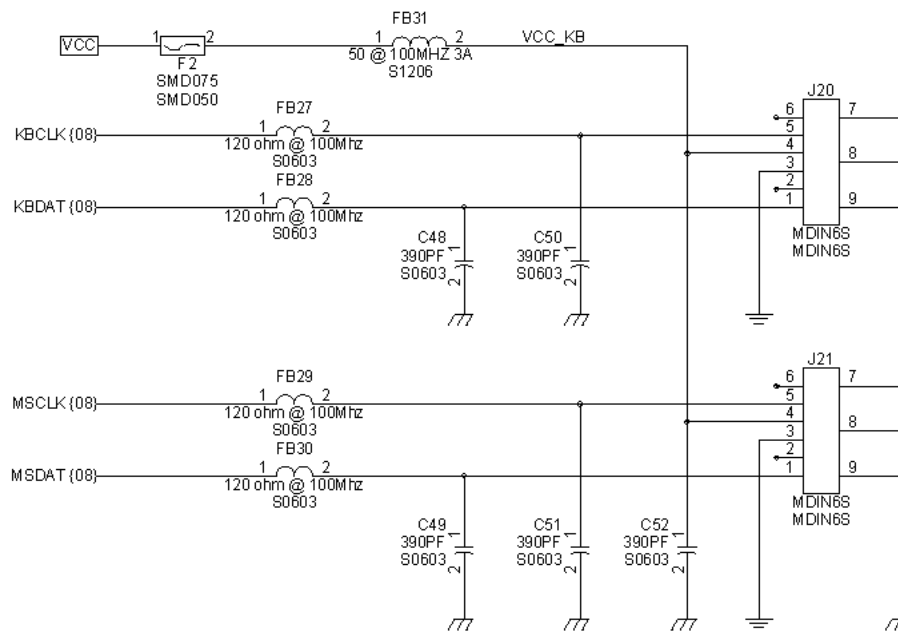
### 5.7.1. Serial Port Implementation Notes

- ▶ The ETX module's TXD1, TXD2, DTR1#, DTR2#, RTS1# and RTS2# lines are normally outputs from the module. However, these lines also may be used as chipset configuration straps during system reset. In this condition, they are inputs that are pulled to the correct state by resistors internal to the ETX module. No external DC loads or external pull-up or pull down resistors should be attached to these lines. External resistors may override the internal strap states and cause the ETX module to malfunction.
- ▶ If it is necessary to drive a TTL input (or another input which sources or sinks significant current) with any of these signals, a CMOS-input buffer should be inserted in the signal path so that these lines are not pulled up or down by external circuitry during system reset.
- ▶ Use pull-ups on all unused input signals on COM ports. Do not terminate unused output signals.

## 5.8 IRDA

ETX modules implement a single infrared (IR) port. The capabilities and implementation of the IR port vary among ETX modules and are presented in more detail in the user's guide for each module.

## 5.9 Keyboard and Mouse



**Figure 14 – PS/2 Keyboard and Mouse Port Connectors and Circuitry**

Figure 14 shows PS/2 keyboard and mouse ports using mini-DIN connectors.

The supply fusing shown is generally a requirement for external keyboard and mouse devices in which a fault might occur in the device or its connecting cable.

## 5.10 Parallel Port

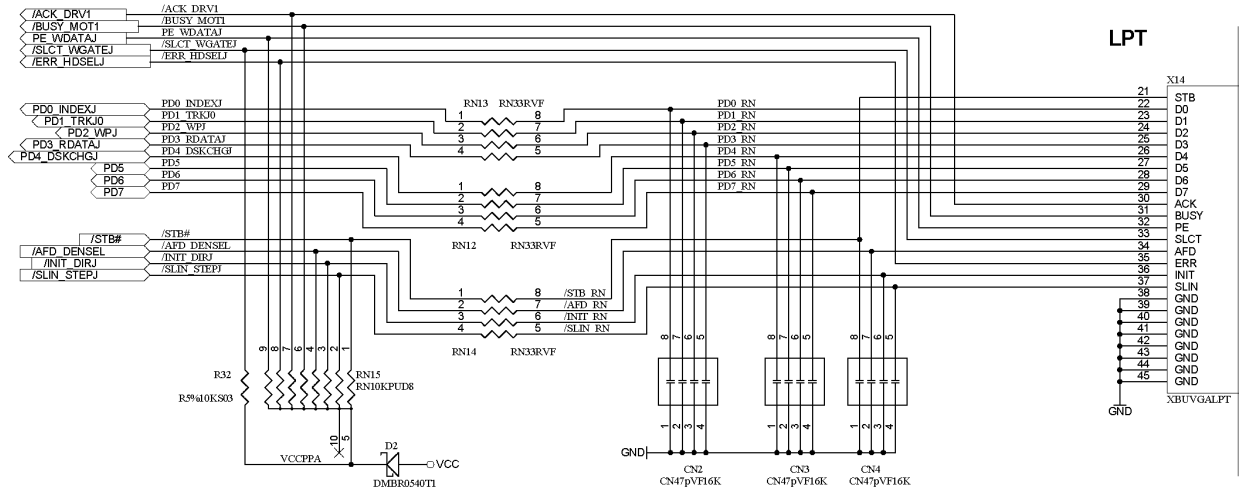


Figure 15 – Parallel Port Connector and Circuitry



Figure 15 shows typical parallel-port circuitry. The pin numbers shown outside the header outlines are for flat-ribbon cable headers. The pin numbers inside the header outlines are the actual pin numbers on the DB25 parallel-port connector.

### 5.10.1. Parallel Port Implementation Notes

The diode in the pull-up power path is present so that a powered parallel port device (such as a printer) will not source current into the power plane of an unpowered ETX module. Such “phantom powering” could interfere with the proper operation of reset and power control circuits on the ETX module. If there is no possibility of the parallel device being powered while the ETX module is not, then the diode is unnecessary.

### 5.10.2. Floppy Drive Operation Over the Parallel Port Connector

ETX modules generally support one floppy drive attached to parallel-port pins. This is an alternative to the normal parallel port functionality. If the parallel port is used in parallel port mode, floppy disk support is not available via the parallel port. If floppy-disk support is needed, an external controller may be incorporated in the backplane design.

Note the following considerations for floppy-over-parallel operation:

- ETX pin X3-51 must be grounded when the ETX module boots.
- The X3-51 pin is sensed only at the beginning of the boot, so it is not possible to dynamically switch between floppy and parallel-port modes.
- If X3-51 pin changes state after boot, a reboot will be necessary to sense the change in state and set the operating mode as specified by the pin.
- The series resistors and pullup components shown in Figure # are still recommended for applications that use only the floppy-drive functionality.
- If the floppy-over-parallel function is used only occasionally, it can be implemented as a cable, which connects a standard DB25 parallel port connector to a 34-pin floppy drive connector. Then the baseboard connector can be wired as a standard parallel port and used as a parallel port when the floppy functionality is not required.

### 5.10.3. Options for Simultaneous Floppy and Parallel Port Operation

If an application needs floppy and parallel-port functionality simultaneously, there are several alternatives for the designer to consider:

- A super I/O chip may be added to the baseboard to implement a dedicated floppy controller. This is a low-cost option and is particularly attractive if the design also needs the additional serial or parallel ports in the super I/O chip. For the floppy interface to work properly, BIOS support will be necessary. Please consult Kontron Embedded Modules regarding recommended super I/O devices for this application.

- ▶ An LS-120 drive may be used. LS120 drives are basically super floppies that connect to an IDE port. They can read conventional 3-1/2 inch floppy disks and special 120MB, high-density media. This is an attractive choice for many instrumentation applications in which floppies are used for routine operation but a means of transferring large data or program files is sometimes needed.
- ▶ A USB floppy drive may be used. Most ETX module BIOSes will support booting from a USB floppy. However, the operating system also may need to support USB devices to use a USB floppy after OS boot.

## 6. CONNECTOR X4

### 6.1 ETX Connector X4 Schematic

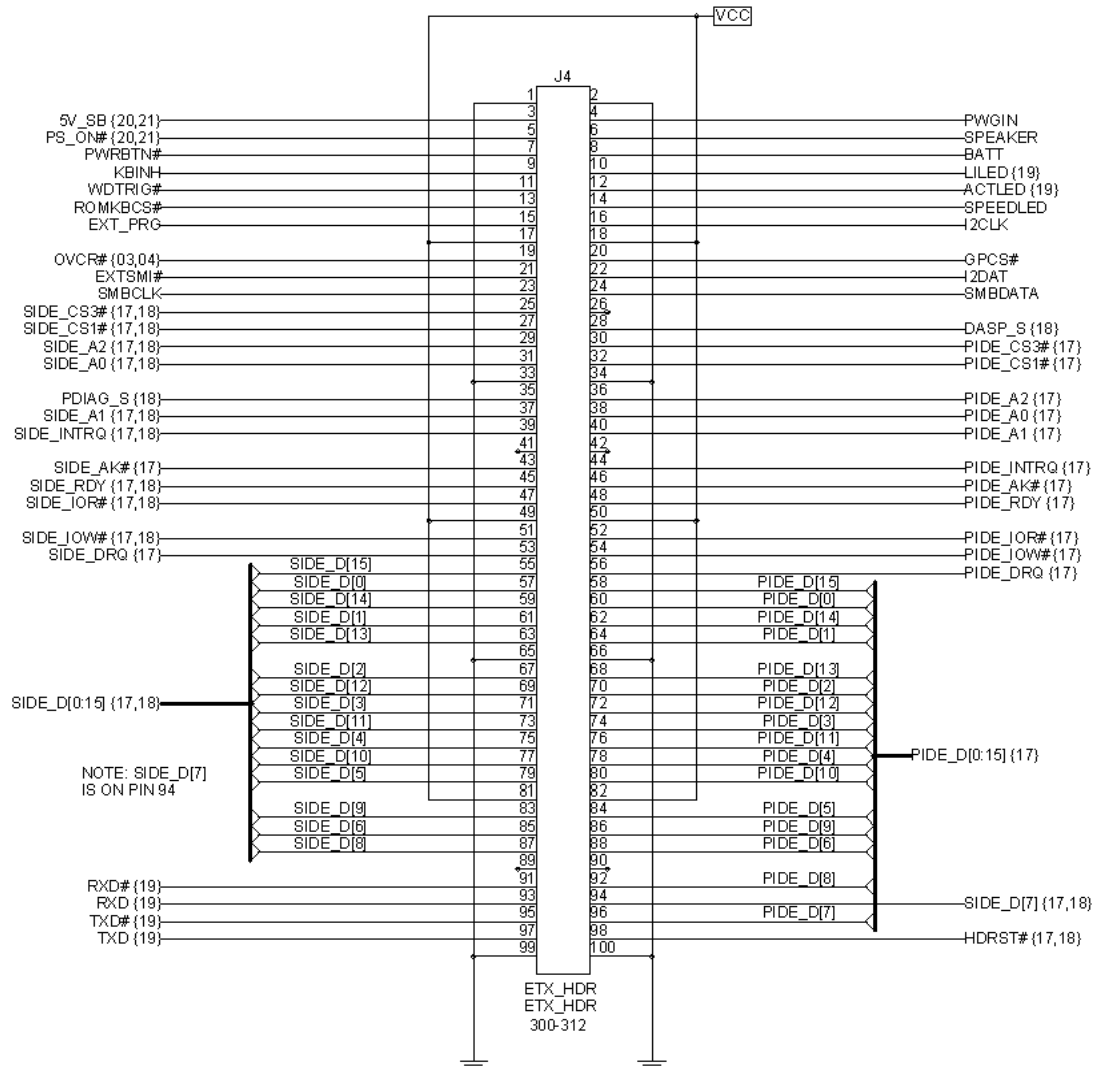


Figure 16 – ETX Connector X4

## 6.2 ETX Connector X4 Pinout

Pin	Signal	Pin	Signal	Pin	Signal	Pin	Signal
1	GND	2	GND	51	SIDE_IOW#	52	PIDE_IOR#
3	5V_SB	4	PWGIN	53	SIDE_DRQ	54	PIDE_IOW#
5	PS_ON	6	SPEAKER	55	SIDE_D15	56	PIDE_DRQ
7	PWRBTN#	8	BATT	57	SIDE_D0	58	PIDE_D15
9	KBINH#	10	LILED#	59	SIDE_D14	60	PIDE_D0
11	RSMRST#	12	ACTLED#	61	SIDE_D1	62	PIDE_D14
13	ROMKBCS#	14	SPEEDLED#	63	SIDE_D13	64	PIDE_D1
15	EXT_PRG	16	I2CLK	65	GND	66	GND
17	VCC	18	VCC	67	SIDE_D2	68	PIDE_D13
19	OVCR#	20	GPCS#	69	SIDE_D12	70	PIDE_D2
21	EXTSMI#	22	I2DAT	71	SIDE_D3	72	PIDE_D12
23	SMBCLK	24	SMBDATA	73	SIDE_D11	74	PIDE_D3
25	SIDE_CS3#	26	SMBALRT#	75	SIDE_D4	76	PIDE_D11
27	SIDE_CS1#	28	DASP_S	77	SIDE_D10	78	PIDE_D4
29	SIDE_A2	30	PIDE_CS3#	79	SIDE_D5	80	PIDE_D10
31	SIDE_A0	32	PIDE_CS1#	81	VCC	82	VCC
33	GND	34	GND	83	SIDE_D9	84	PIDE_D5
35	PDIAG_S	36	PIDE_A2	85	SIDE_D6	86	PIDE_D9
37	SIDE_A1	38	PIDE_A0	87	SIDE_D8	88	PIDE_D6
39	SIDE_INTRQ	40	PIDE_A1	89	GPE2#	90	CBLID_P
41	BATLOW#	42	GPE1#	91	RXD#	92	PIDE_D8
43	SIDE_AK#	44	PIDE_INTRQ	93	RXD	94	SIDE_D7
45	SIDE_RDY	46	PIDE_AK#	95	TXD#	96	PIDE_D7
47	SIDE_IOR#	48	PIDE_RDY	97	TXD	98	HDRST#
49	VCC	50	VCC	99	GND	100	GND

## 6.3 IDE Ports

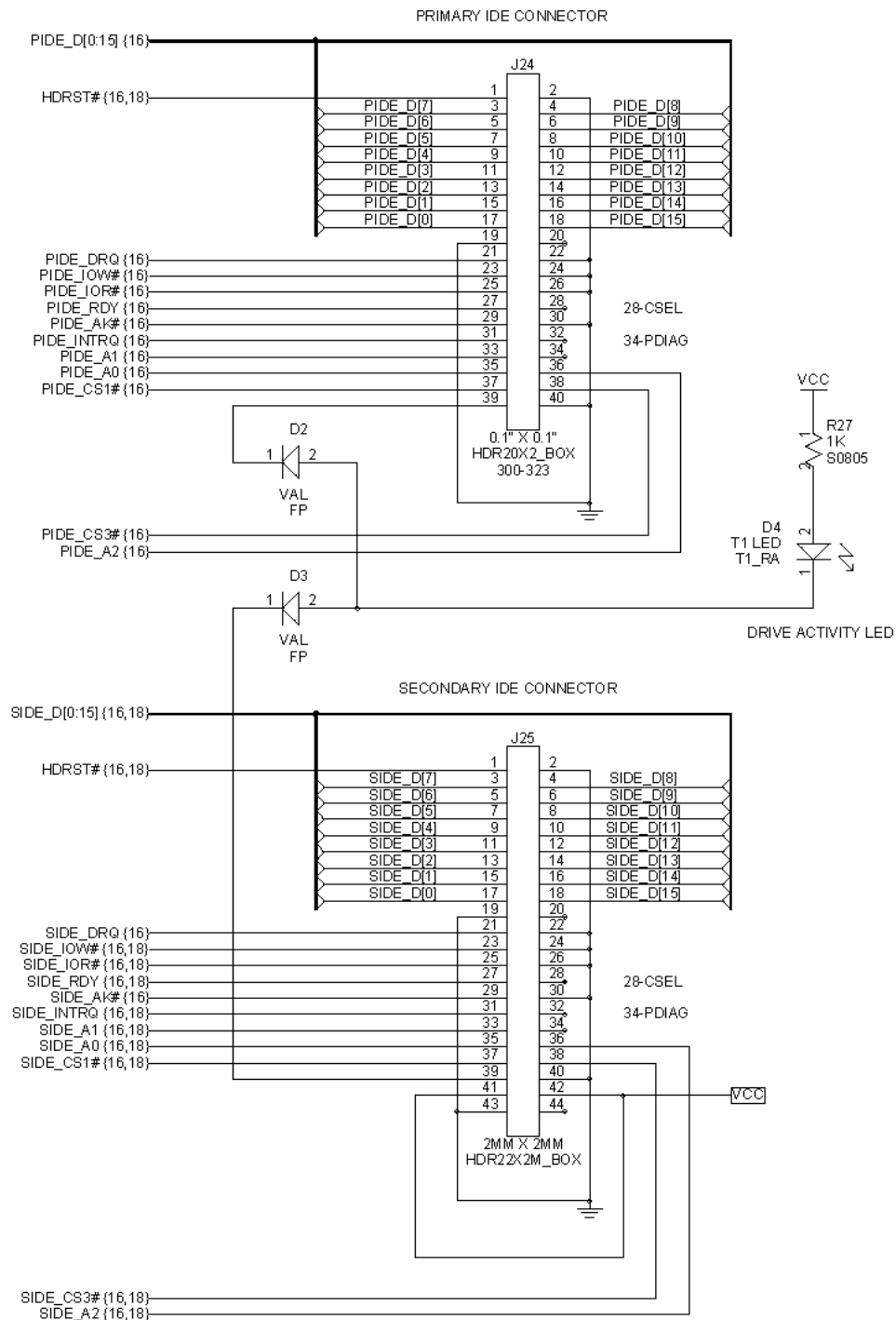


Figure 17 – Primary and Secondary IDE Connectors

Figure 17 shows connectors and circuitry for both primary and secondary IDE ports. The pin numbers shown outside the header outlines are for flat-ribbon cable headers.

### 6.3.1. IDE Port Implementation Notes

- The primary port connector shown in Figure 17 is a standard 40-pin IDC flat-cable header, which is used with 3-1/2 inch desktop IDE hard drives. These drives require a separate power cable to provide them with 5- and 12-volt operating power.
- The secondary port connector shown is a 44 pin, 2mm header of the type used with 2-1/2 inch laptop hard drives. The pinout is the same as for the standard connector, with the addition of pins 41-44 which provide 5-volt power to the drive. Laptop drives do not need 12-volt power and do not require a separate power cable.
- Each IDE port can support two hard drives or other ATAPI devices. The two devices on each port are wired in parallel, which is accomplished by plugging both drives into a single flat ribbon cable equipped with two socket connectors. A jumper is typically manually set on each device to set it for “master” or “slave” operation.
- If two devices are used in the master/slave mode on the same IDE port, the DASP# pins of both devices must be connected together. Also, the PDIAG# pins of both devices must be connected together. These pairs of pins negotiate between the master and slave devices. The devices may not function correctly unless these pins are interconnected. If two devices are plugged into a single IDE cable, the cable will interconnect the pins properly. If the two devices on one port are integrated on the baseboard or plugged into separate connectors, care should be taken to tie the corresponding pins together. On a standard IDE connector, PDIAG# is Pin 34 and DASP# is Pin 39.
- Because some ETX modules contain an onboard Flash disk on the secondary IDE port, the DASP\_S# and PDIAG\_S# pins of that disk are brought to the ETX connector and must be connected to the same pins on any other IDE device that is connected to the secondary port. It is recommended that these pins always be connected for compatibility with a variety of ETX modules.

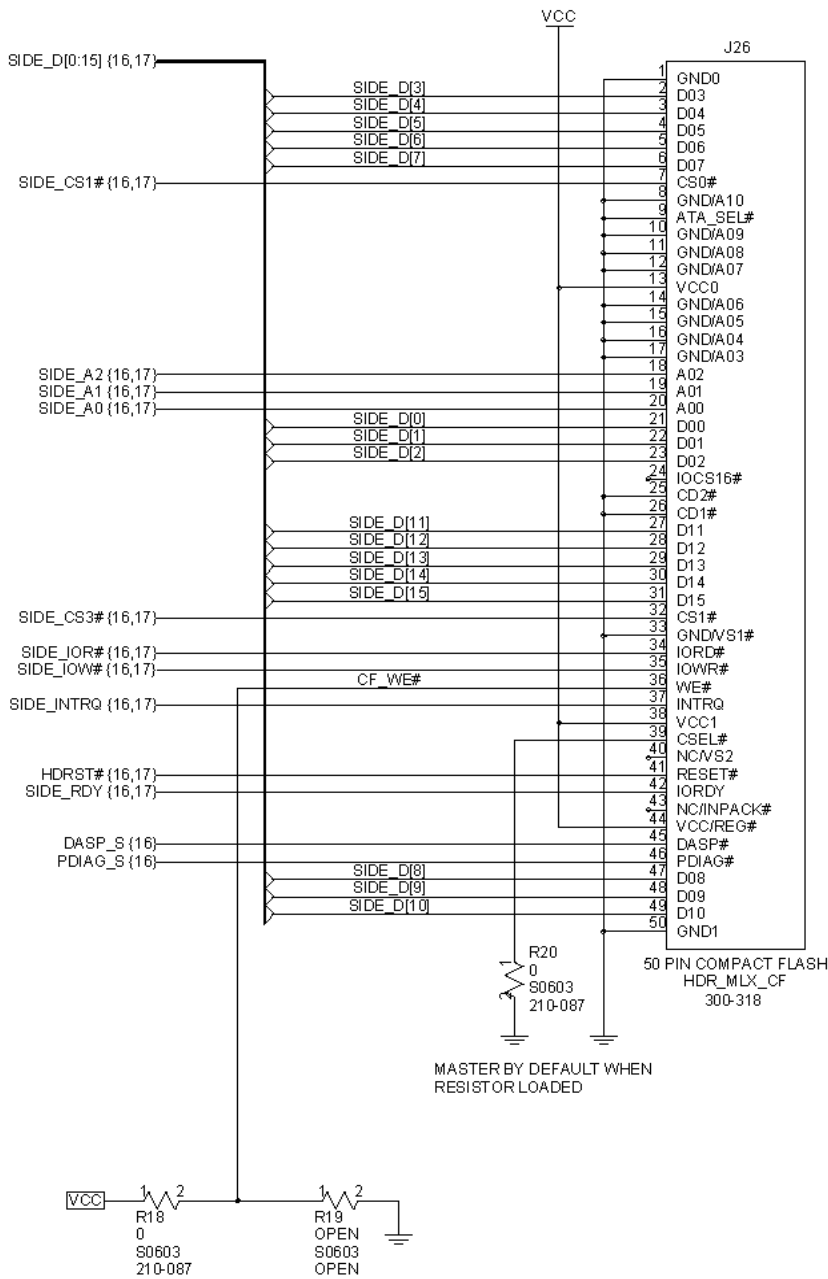
---

**Note:** The DASP# and PDIAG# pins from the primary and secondary IDE ports should NOT be tied together. They should only be connected between the devices that share a single port.

---

- After IDE devices are initialized, Pin 39 is used for an alternate function. It is asserted to indicate device activity and may drive a LED. If an activity light is shared between both IDE ports, diode or gate isolation should be used so that the DASP# functionality of the two ports is not affected.
- Some ETX modules support advanced IDE data transfer modes such as UDMA 66. These modes require a special 80-conductor IDE cable for signal integrity. Refer to the individual ETX user’s guide for details about these modes.

### 6.3.2. CompactFlash Socket on IDE Port



**Figure 18 – CompactFlash Socket**

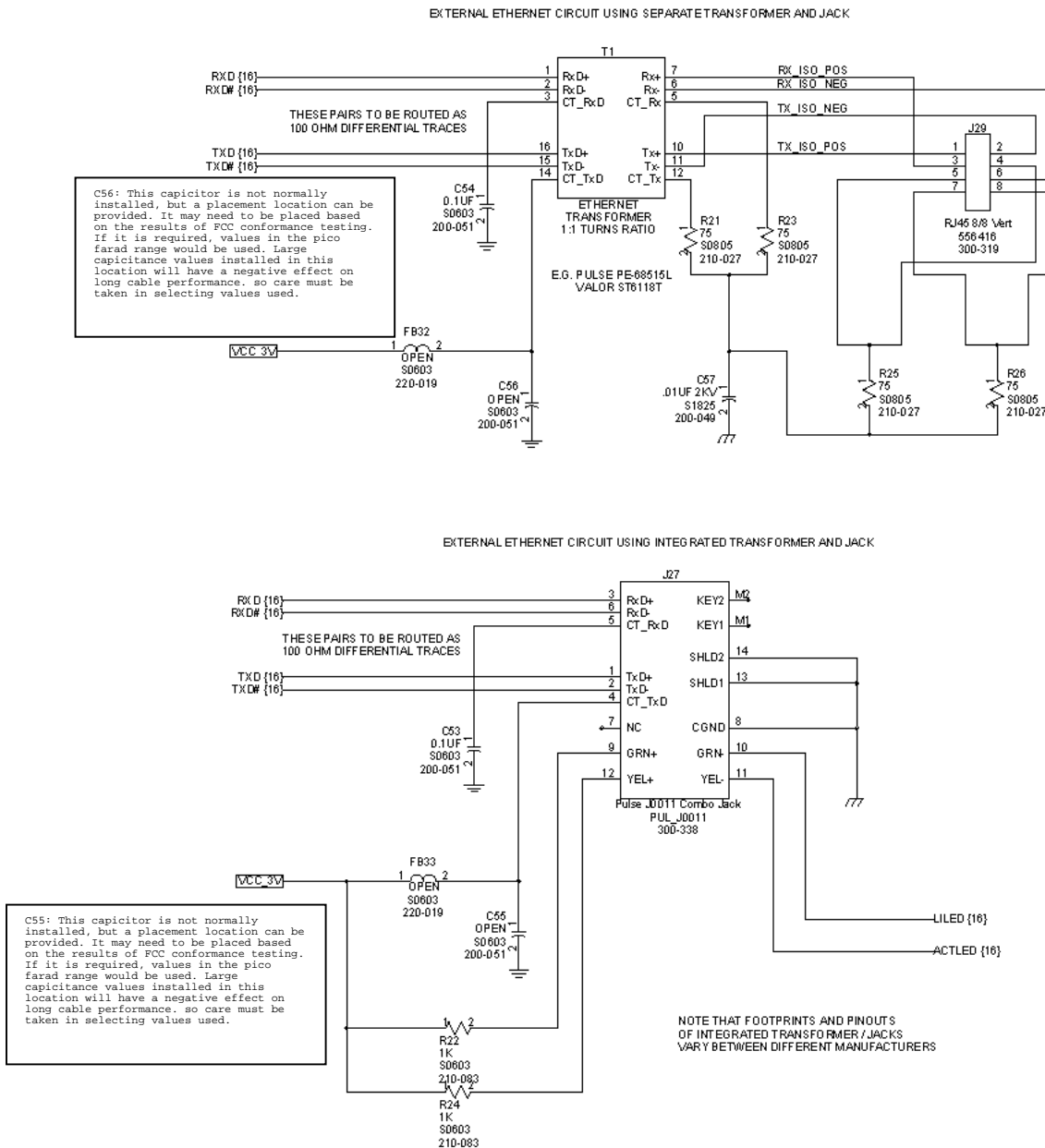
Figure 18 shows CompactFlash (CF) socket wired as a secondary master IDE device. CompactFlash cards are used as alternatives to mechanical hard drives, especially when only moderate data capacity is needed. A CF card in IDE mode has the same electrical interface as an IDE hard drive, so it may be wired to an ETX IDE port in the same way.

### 6.3.3. CompactFlash Socket Implementation Notes

- The CF card cannot be hot-plugged (changed while the system is powered). If hot-plug support is necessary, then a PCI-based CardBus controller chip can be integrated onto the baseboard and used to control the CF socket.
- The CF card can be configured as a slave device by removing R20.
- If two CF cards (or a CF card and a hard drive) are used in the master/slave mode on the same IDE port, the DASP# pins of both devices must be connected. Also, the PDIAG# pins both devices also must be connected. These pins negotiate between the master and slave devices, and the devices may not function correctly unless these pins are interconnected. Because some ETX modules contain an onboard flash disk on the secondary IDE port, the DASP# and PDIAG# pins of that disk are brought to the ETX connector and must be connected to the same pins of any other secondary IDE device which is implemented in the system.
- Problems have occasionally been observed when two CF cards are used on the same IDE port (as Master and Slave), or when a CF card is used in combination with a mechanical hard drive. If a CF card is used on the same IDE channel as another card or another IDE device, the use of well-proven cards from vendors such as SanDisk is recommended.



## 6.4 Ethernet Circuits



**Figure 19 – Ethernet Circuits Using Separate Transformer and Integrated Jack**

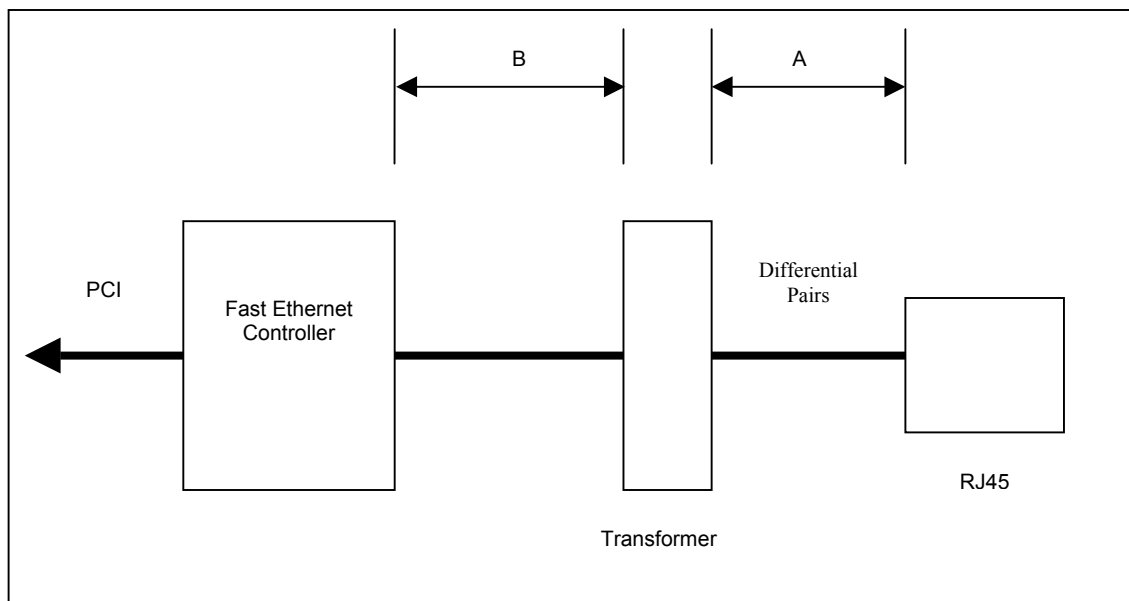
Figure 19 shows two alternative Ethernet circuits. The top circuit uses a separate transformer and RJ45 jack. The bottom circuit uses an RJ45 jack with integrated magnetics.

The ETX Ethernet Interface is designed for use with an external transformer or integrated jack that has a 1:1 turns ratio. Refer to electrical data in the *ETX Specification* for details.

The (04) following each net name indicates that this signal connects to an identical net name within Figure # (which shows the ETX X4 connector).

### 6.4.1. Ethernet Implementation Notes

- Route the transmit and receive lines on the input (ETX module) side of the coupling transformer on the baseboard PCB as differential pairs, with a differential impedance of 100 Ohms. PCB layout software allows determining the correct trace width and spacing to achieve this impedance after the PCB stackup configuration is known.
- The TXD, TXD# signal pair should be well separated from the RXD, RXD# signal pair. Both pairs should be well separated from any other signals on the PCB. The total routing length of these pairs from the ETX module to the Ethernet jack should be made as short as practical. If the baseboard layout “doesn’t care” where the Ethernet jack is located, it should be placed close to the ETX module pins.



**Figure 20 – Critical Dimensions**

- There are two critical dimensions that must be considered during the layout phase of an Ethernet controller. These dimensions are identified in Figure 20 as A and B.
  - Distance A: Transformer to RJ45 (Priority 1)** The distance labeled “A” should be given the highest priority in the backplane layout. The distance between the transformer module and the RJ45 connector should be kept to less than 1 inch of separation. The following trace characteristics are important and should be observed:
    - 1) Differential Impedance: The differential impedance should be 100  $\Omega$ . The single ended trace impedance will be approximately 50  $\Omega$ ; however, the differential impedance also can be affected by the spacing between the traces.
    - 2) Trace Symmetry: Differential pairs (such as RXD and TXD) should be routed with consistent separation and with exactly the same lengths and physical dimensions (for example, width).

---

**Notes:**

Asymmetrical and unequal length traces in the differential pairs contribute to common mode noises. This can degrade the receive circuit's performance and contribute to radiated emissions from the transmit circuit. If the Ethernet controller must be placed further than two inches from the RJ45 connector, Distance B can be sacrificed. Keeping Distance A as short as possible should be a priority.

---

**Distance B: PHY to Transformer (Priority 2)** Distance B from Figure 20 also should be designed to extend as short as possible between devices. The high-speed nature of the signals propagating through these traces requires that the distances between these components be closely observed.

In general, any section of traces that is intended for use with high-speed signals should observe proper termination practices.

Many board layouts remove the ground plane underneath the transformer and RJ45 jack to minimize capacitive coupling of noise between the plane and the external Ethernet cable.

- ▶ Some ETX modules require VCC\_3V (from ETX X1 Pins 12, 16 and 24) to be applied to the center tap of the transformer's transmit winding. Others do not. This implementation difference can be handled as a baseboard build option, by loading or omitting the ferrite bead when appropriate. In some cases, it may be desirable to install a Berg jumper in series with the ferrite bead so the baseboard configuration can be changed without soldering.

## 6.4.2. Ethernet LEDs

Link and activity LEDs can be implemented by using the ETX module's LILED# and ACTLED# pins. These pins sink current and are intended for attachment to a LED cathode. The anode of the LED should be pulled to VCC\_3V through a resistor of 470 Ohms or greater.

## 6.5 *Miscellaneous Circuits*

### 6.5.1. **Speaker**

The **SPKR** output from the ETX module is a CMOS level signal. It can control an external FET or logic gate that drives an external PC speaker.

The ETX module's SPKR output should not be directly connected to either a pullup or a pulldown resistor. The SPKR signal is often used as a configuration strap for the core chipset in ETX modules. A pullup or pulldown on this signal can override the internal setting in the module and result in malfunction of the module.

### 6.5.2. **Battery**

The internal real-time clock in the ETX module requires a constant source of power for timekeeping. On some ETX modules, the battery input also is required to retain setup parameters in the CMOS memory.

A 3V Lithium cell is usually used for the RTC battery. The positive terminal is connected to the **BATT** pin of the ETX module, and the negative terminal is connected to ground.

The battery is typically a coin cell type such as a CR2032, but this may not be suitable for all applications. Some applications may require an RTC battery with greater capacity than small coin cells can provide.

The required battery capacity varies among ETX modules and operating conditions. In particular, sustained high operating temperatures will increase both the battery current requirements of the ETX module and the battery's internal self-discharge rate. The combination of these factors may result in a required battery capacity substantially greater than that typical for a benign office environment.

### 6.5.3. **I<sup>2</sup>C Bus**

Most ETX modules provide a software-driven I<sup>2</sup>C port for communication with external I<sup>2</sup>C slave devices. This port is implemented on ETX Pins **I2DAT** and **I2CLK**.

The implementation details and software interface for this port are different between ETX modules. Refer to the individual ETX user's guide for details.

### 6.5.4. **SM Bus**

Most ETX modules provide an SMBus port for communication with external SMBUS slave devices. This port also is used internally in the ETX module to communicate with onboard SMBUS devices such as the SPD EEPROMs on DIMMS, clock-generator chips, and hardware-monitoring devices. The port is externally available on the ETX pins **SMBDAT** and **SMBCLK**.

The addresses for any external SMBus devices must be chosen so that they do not conflict with the addresses that are used internally in the ETX module. If the device offers externally controllable address options, it is desirable to implement baseboard resistor straps to allow the device to be set to at least two possible SMBus addresses.

The implementation details and software interface for this port differ between ETX modules. Refer to the individual ETX user's guide for details.

Special care should be taken in external use of the SMBus because of its importance to the internal operation of the ETX module. Consultation with Kontron Embedded Modules technical support is recommended.

### 6.5.5. Power Good / Reset Input

The ETX Power Good Input (**PWGIN**) may be attached to an external power good circuit if desired, or used as a manual reset input by grounding the pin with a momentary-contact pushbutton switch.

If an external circuit asserts this signal, it should be driven by an open-drain driver and held low for a minimum of 15mS to initiate a reset.

Use of this input is optional. The ETX module generates its own power-on reset based on an internal monitor on the +5V input voltage and/or the internal power supplies.

### 6.5.6. Keyboard Inhibit

Most ETX modules support a keyboard inhibit pin (**KBINH#**) that you can use to disable keyboard operation for security reasons. This pin may be attached to an external lock switch or other locking device.

The implementation details for this feature can differ between ETX modules. Refer to the individual ETX user's guide for details.

### 6.5.7. ATX Power Supply Control

Most ETX modules provide support for ATX-style power supplies in which the main power output of the supply is controlled by the ETX module.

The power supply must provide a constantly present source of 5V power to support this functionality. Typical current consumption from the **5V\_SB** supply pin is under 10mA.

If an ATX power supply is not used, the ETX module's **PS\_ON**, **5V\_SB**, and **PWRBTN#** pins should be left unconnected.

**PS\_ON**

On ETX modules that support ATX-style power supplies, the **PS\_ON** signal is an active-low output that turns on the main outputs of the supply. This is an open-collector signal and should be pulled up to the **5V\_SB** supply voltage with a 1K resistor. (Typically, there is a pullup resistor implemented in the power supply itself, but it is good practice to also implement a position for a pullup resistor in the baseboard circuitry).

**PWRBTN#**

On ETX modules that support ATX-style power supplies, this signal used for a momentary-contact, active-low pushbutton input. The other terminal of the pushbutton should be grounded. The ETX module implements an internal pullup to **5V\_SB** for this signal.

Asserting **PWRBTN#** indicates that the operator wants to turn the power on or off. The system response to this signal can vary among ETX modules and can be subject to modification by BIOS settings or system software.

**6.5.8. OVCR#**

This active-low input allows an external overcurrent protection device on one or more of the USB ports to indicate an overcurrent condition. Response to this signal depends upon system software. The implementation details for this feature may differ between different ETX modules. Refer to the individual ETX user's guide for details.

**6.5.9. External SMI Interrupt**

The active-low **SMI** input allows external devices to signal a system-management event. Response to this signal depends upon system software.

This signal is pulled up to **5V\_SB** internally to the ETX module. External circuitry driving this signal also should be powered from a supply that is active whenever **5V\_SB** is active.

The **5V\_SB** always will be active whenever power is applied to the ETX module's VCC pins. This is only a concern when the main power supply to the ETX module is powered down.

The implementation details for this feature can be different between ETX modules. Refer to the individual ETX user's guide for details.

## 7. POWER SUPPLY RECOMMENDATIONS

### 7.1 *Power Requirements*

ETX modules operate entirely from 5-volt input power. All other necessary voltages are generated on the ETX module using onboard power supplies.

The power requirements of ETX modules vary substantially, depending on the processor type and speed. To accommodate the fastest future modules, it is recommended that the 5V supply be capable of delivering 6 amperes average current to the ETX module (with momentary peak current to 9 amperes). It also is recommended that the thermal management solution be capable of removing 30 watts from the ETX module's heat spreader plate while maintaining conservative operating temperatures.

These recommendations may be difficult to meet in many applications. In these cases, the power supply and the thermal solution can be sized for substantially lower power, as long as it is understood that the application may not be able to host very high performance ETX modules with correspondingly high power consumption.

### 7.2 *Power Supply Considerations*

The designer should consider several factors when designing power supplies for ETX systems:

- ▶ ETX modules can provide a limited amount of 3.3V power from their onboard power supplies. The output current is limited to 500mA. If external system components require more 3.3V power than this 500mA limit, the baseboard will need to implement a 3.3V supply.
- ▶ Do not connect the outputs of an external 3.3V supply to the 3.3V pins on the ETX module because this will cause the power supplies to fight each other and possibly cause a malfunction of the ETX module or the external power supply.
- ▶ Baseboard designs frequently fuse power outputs to external devices (such as the keyboard and USB devices) with solid-state or polyswitch overcurrent protection devices. The protective devices typically open only after passing several times their rated current for a significant period. If the system power supply is not capable of supplying the current required to open the protective device, the system may crash in the presence of an external fault. This may compromise system reliability and complicate system fault diagnosis.



Occasionally, problems arise with external 5V power supplies that produce a non-monotonic voltage rise at turn-on. Some ETX internal circuits, such as clock-generator chips, generate their own reset signals based on the supply voltage passing a certain voltage threshold. If there is a voltage dip after this threshold is passed, these circuits may become confused and malfunction. This problem is rare, but it has been observed in custom mobile power-supply designs. It is advisable to observe the power supply rise waveform with an oscilloscope during power supply qualification to confirm that the rise is monotonic and does not contain dips.

## 8. MECHANICAL CONSIDERATIONS

### 8.1 *Baseboard Layout Drawing*

The *ETX Specification* document contains two mechanical drawings. One drawing is of the module itself, while the other drawing is of the baseboard connector placement.

It is important to use the baseboard connector placement drawing for baseboard design. The locating pins for the ETX connectors on the baseboard drawing are in a slightly different position than on the module drawing because of the connector design.

### 8.2 *Module Dimensions*

All ETX modules have the same mounting hole and connector locations and are mechanically interchangeable. However, during the evolution of the ETX standard, the specified overall Y dimension of the module was reduced from 100mm to 95mm. This allows ETX modules to be used in certain applications in which the previous form factor was slightly oversized.

New designs will conform to the 95mm specification, but ETX designs with the 100mm Y dimension will continue to be produced. Baseboard designers should allow 100mm for the module Y dimension. This will allow the baseboard to be used with all ETX modules.

## 9. APPENDIX F: PC ARCHITECTURE INFORMATION

The following sources of information can help you better understand PC architecture.

### 9.1 *Buses*

#### 9.1.1. ISA, Standard PS/2 – Connectors

- *AT Bus Design: Eight and Sixteen-Bit ISA, E-ISA and EISA Design*, Edward Solari, Annabooks, 1990, ISBN 0-929392-08-6
- *AT IBM Technical Reference Vol 1&2*, 1985
- *ISA & EISA Theory and Operation*, Edward Solari, Annabooks, 1992, ISBN 0929392159
- *ISA Bus Specifications and Application Notes*, Jan. 30, 1990, Intel
- *ISA System Architecture, Third Edition*, Tom Shanley and Don Anderson, Addison-Wesley Publishing Company, 1995, ISBN 0-201-40996-8
- Personal Computer Bus Standard P996, Draft D2.00, Jan. 18, 1990, IEEE Inc
- *Technical Reference Guide, Extended Industry Standard Architecture Expansion Bus*, Compaq 1989

#### 9.1.2. PCI/104

- Embedded PC 104 Consortium  
The consortium provides information about PC/104 and PC/104-Plus technology. You can search for information about the consortium on the Web.
- PCI SIG  
The PCI-SIG provides a forum for its ~900 member companies, who develop PCI products based on the specifications that are created by the PCI-SIG. You can search for information about the SIG on the Web.
- *PCI & PCI-X Hardware and Software Architecture & Design*, Fifth Edition, Edward Solari and George Willse, Annabooks, 2001, ISBN 0-929392-63-9.
- *PCI System Architecture*, Tom Shanley and Don Anderson, Addison-Wesley, 2000, ISBN 0-201-30974-2.

## 9.2 General PC Architecture

- *Embedded PCs*, Markt&Technik GmbH, ISBN 3-8272-5314-4 (German)
- *Hardware Bible*, Winn L. Rosch, SAMS, 1997, 0-672-30954-8
- *Interfacing to the IBM Personal Computer*, Second Edition, Lewis C. Eggebrecht, SAMS, 1990, ISBN 0-672-22722-3
- *The Indispensable PC Hardware Book*, Hans-Peter Messmer, Addison-Wesley, 1994, ISBN 0-201-62424-9
- *The PC Handbook: For Engineers, Programmers, and Other Serious PC Users*, Sixth Edition, John P. Choisser and John O. Foster, Annabooks, 1997, ISBN 0-929392-36-1

## 9.3 Ports

### 9.3.1. RS-232 Serial

- EIA-232-E standard  
The EIA-232-E standard specifies the interface between (for example) a modem and a computer so that they can exchange data. The computer can then send data to the modem, which then sends the data over a telephone line. The data that the modem receives from the telephone line can then be sent to the computer. You can search for information about the standard on the Web.
- *RS-232 Made Easy: Connecting Computers, Printers, Terminals, and Modems*, Martin D. Seyer, Prentice Hall, 1991, ISBN 0-13-749854-3
- National Semiconductor  
The Interface Data Book includes application notes. Type "232" as a search criteria to obtain a list of application notes. You can search for information about the data book on National Semiconductor's Web site.

### 9.3.2. Serial ATA

#### Serial AT Attachment (ATA) Working Group

This X3T10 standard defines an integrated bus interface between disk drives and host processors. It provides a common point of attachment for systems manufacturers and the system. You can search for information about the working group on the Web.

We recommend you also search the Web for information on *4.2 I/O cables*, if you use hard disks in a DMA3 or PIO4 mode.

### 9.3.3. USB

#### USB Specification

USB Implementers Forum, Inc. is a non-profit corporation founded by the group of companies that developed the Universal Serial Bus specification. The USB-IF was formed to provide a support organization and forum for the advancement and adoption of Universal Serial Bus technology. You can search for information about the standard on the Web.

## 9.4 *Programming*

- *C Programmer's Guide to Serial Communications*, Second Edition, Joe Campbell, SAMS, 1987, ISBN 0-672-22584-0
- *Programmer's Guide to the EGA, VGA, and Super VGA Cards*, Third Edition, Richard Ferraro, Addison-Wesley, 1990, ISBN 0-201-57025-4
- *The Programmer's PC Sourcebook*, Second Edition, Thom Hogan, Microsoft Press, 1991, ISBN 1-55615-321-X
- *Undocumented PC, A Programmer's Guide to I/O, CPUs, and Fixed Memory Areas*, Frank van Gilluwe, Second Edition, Addison-Wesley, 1997, ISBN 0-201-47950-8

## 10. APPENDIX G: DOCUMENT-REVISION HISTORY

Revision	Date	Edited By	Changes to Preceding Revision
0.1	18 Jan 01	RVS	Initial Draft
0.9	22 Mar 01	BB	Preliminary Release
1.0	23 May 01	BB	Release
1.1	21 Mar 03	GDA and RV	Updates with technical changes throughout.
1.2	14 April 03	HCH	Added PCI INT diagram.
1.3	25 April 03	HCH	Changed PCI INT table for better understanding.
1.4	11 August 03	GDA	Inserted proper diagram "PCI bus slot connector" figure 2 section 3.3
1.5	12 Jan 04	GDA	Added notes to section 6.4 Ethernet Circuits
1.6	02 Mar 04	GDA	Corrected information in Ethernet Circuit diagram in section 6.4.
1.7	26.May.04	GDA	Corrected description of Pin 90 in the X4 connector pinout table. The pin is high active not low active.
1.8	8.July.04	GDA	Changed Figure 15 in section 5.10 in order to provide a better example of parallel connector and circuitry. Changed Pin description of Parallel Port Mode Pinout Table pin 86 BUSY# to BUSY. Changed Pin descriptions of X4 Connector Pinout Table pins 9 KBINH, 10 LILED, 12 ACTLED, and 14 SPEEDLED to KBINH#, LILED#, ACTLED#, and SPEEDLED#.